

WIRING DIAGRAM

Packaged Single Stage Gas Heat/Electric Air Conditioner

208/230 Volt

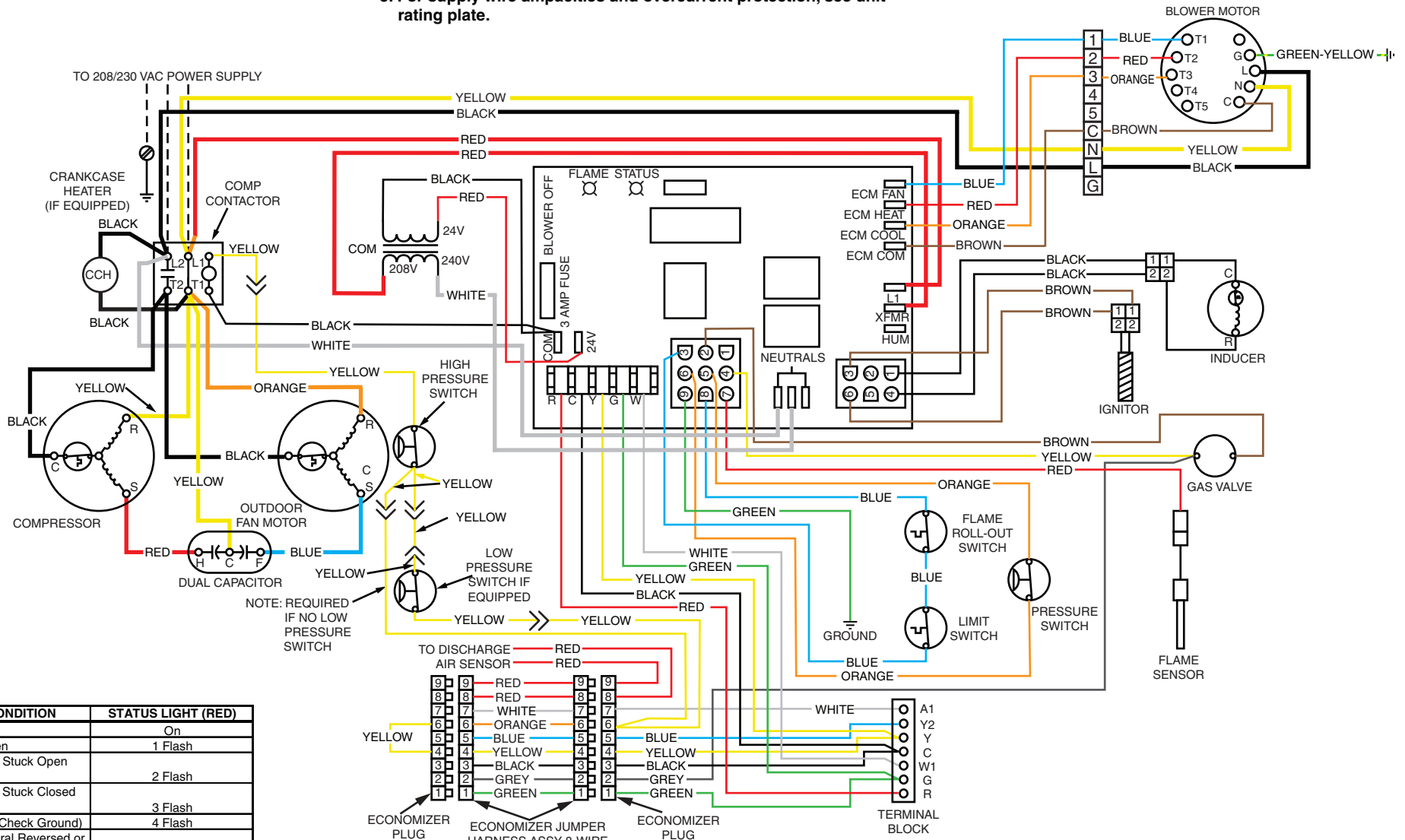
Single Phase 60Hz

NOTES:

1. Disconnect all power before servicing.
2. For supply connections use copper conductors only.
3. Not suitable on systems that exceed 150V to ground.

4. If any of the original wire as supplied with the furnace must be replaced, it must be replaced with wiring material having a temperature rating of at least 105 C.
5. For supply wire ampacities and overcurrent protection, see unit rating plate.

1. Couper le courant avantare letretien.
2. Employez uniquement des conducteurs en cuivre.
3. Ne convient pas aux installations de plus de 150V a la terre.



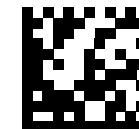
| FAULT CONDITION | STATUS LIGHT (RED) |
|---|-----------------------|
| Power On | On |
| Limit Circuit Open | 1 Flash |
| Pressure Switch Stuck Open with Inducer On | 2 Flash |
| Pressure Switch Stuck Closed with Inducer Off | 3 Flash |
| Ignition Failure (Check Ground) | 4 Flash |
| 230 VAC & Neutral Reversed or No Ground | 5 Flash |
| False Flame or Gas Relay Shorted | Continuous Flash |
| Power Off | Off |
| FAULT CONDITION | STATUS LIGHT (YELLOW) |
| Low Flame Sensor Signal | Continuous Flash |
| Flame Present | On |

LEGEND:

FIELD WIRING - - - - -

LOW VOLTAGE ———

HIGH VOLTAGE ———



711177B
(Replaces 711177A)