

WIRING DIAGRAM

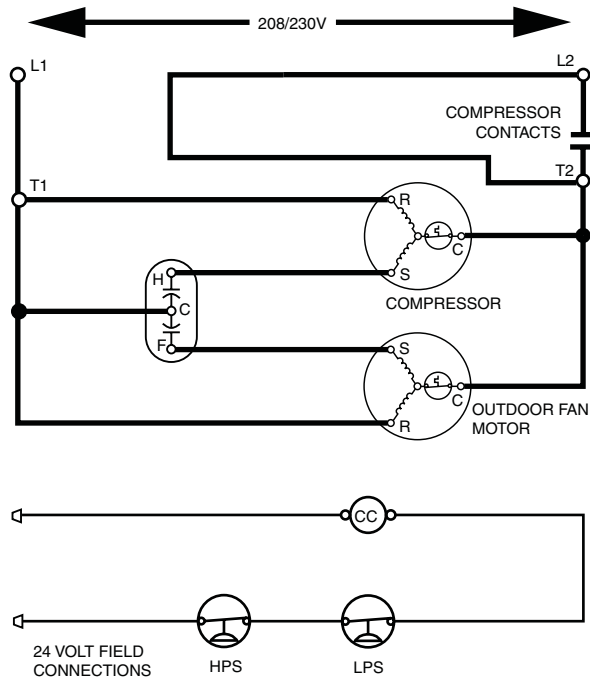
Split System Air Conditioner (Outdoor Section)

Single Phase

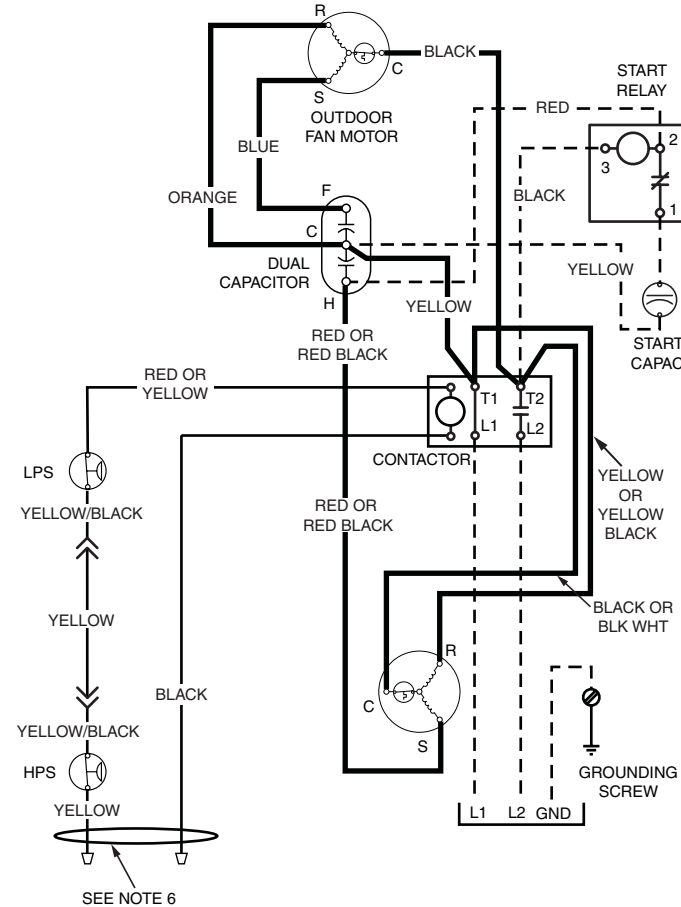
NOTES:

1. Disconnect all power before servicing.
2. For supply connections use copper conductors only.
3. Not suitable on systems that exceed 150 volts to ground.
4. For replacement wires use conductors suitable for 105 deg C.
5. For ampacities and overcurrent protection, see unit rating plate.
6. Connect to 24 vac/40ca/class 2 circuit. See furnace/airhandler installation instructions for control circuit and optional relay/transformer kits.

1. Couper le courant avant de faire letretien.
2. Employez uniquement des conducteurs en cuivre.
3. Ne convient pas aux installations de plus de 150 volt a la terre.



CC - Contactor Coil
LPS - Low Pressure Switch
HPS - High Pressure Switch



SEE NOTE 6

LEGEND:

FIELD WIRING	----
LOW VOLTAGE	————
HIGH VOLTAGE	————



7112240

0412