

WIRING DIAGRAM

Q5RF/PPH2RF-KA SERIES SMALL PACKAGE H/P W/DEMAND DEFROST 4 TON AND 5 TON

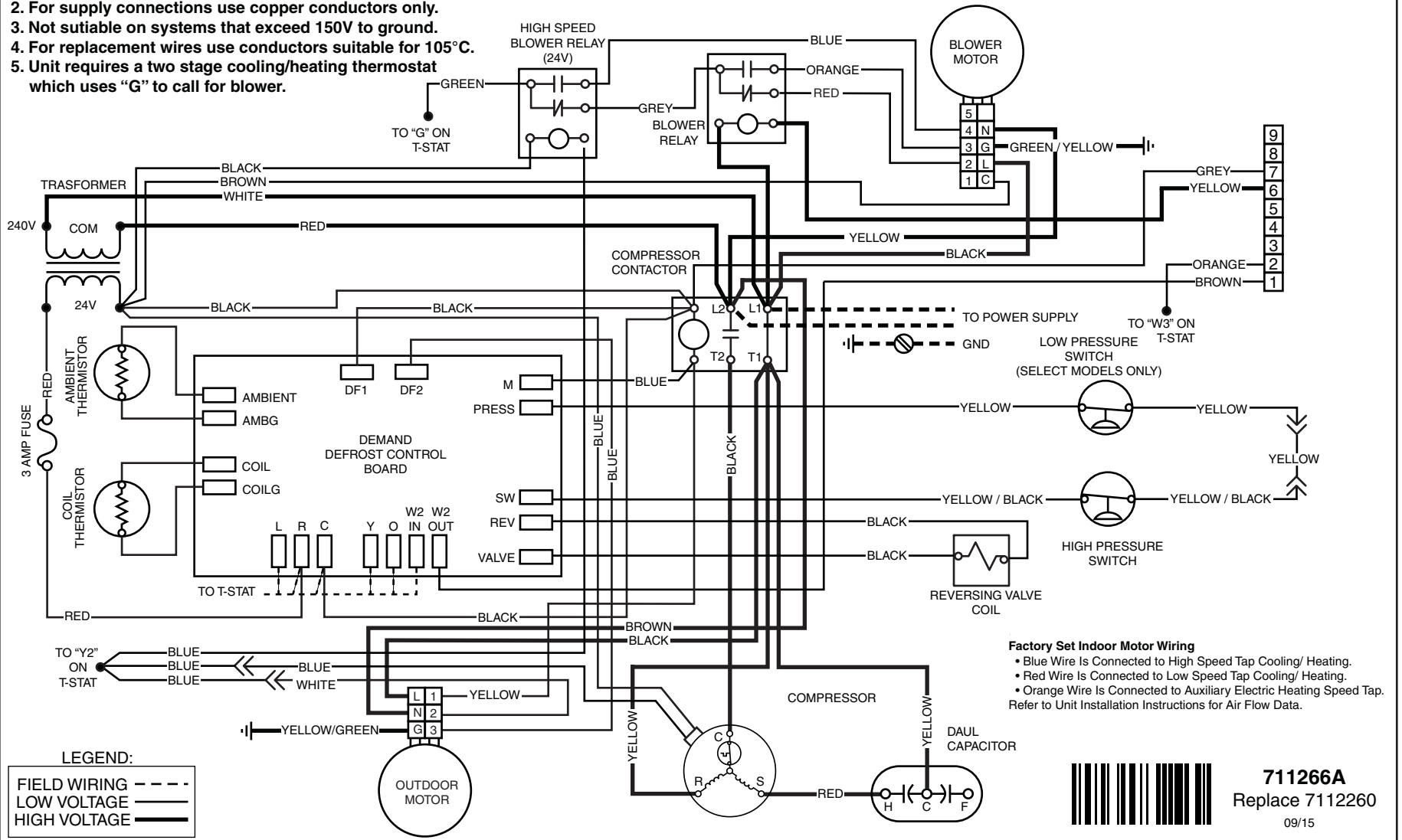
208/230V

60HZ/SINGLE PHASE

NOTES:

1. Disconnect all power before servicing.
2. For supply connections use copper conductors only.
3. Not suitable on systems that exceed 150V to ground.
4. For replacement wires use conductors suitable for 105°C.
5. Unit requires a two stage cooling/heating thermostat which uses "G" to call for blower.

1. Couper le courant avant de faire letretine.
2. Employez uniquement des conducteurs en cuiver.
3. Ne convient pas aux installations de plus de 150V a la terre.



711266A
Replace 7112260

09/15