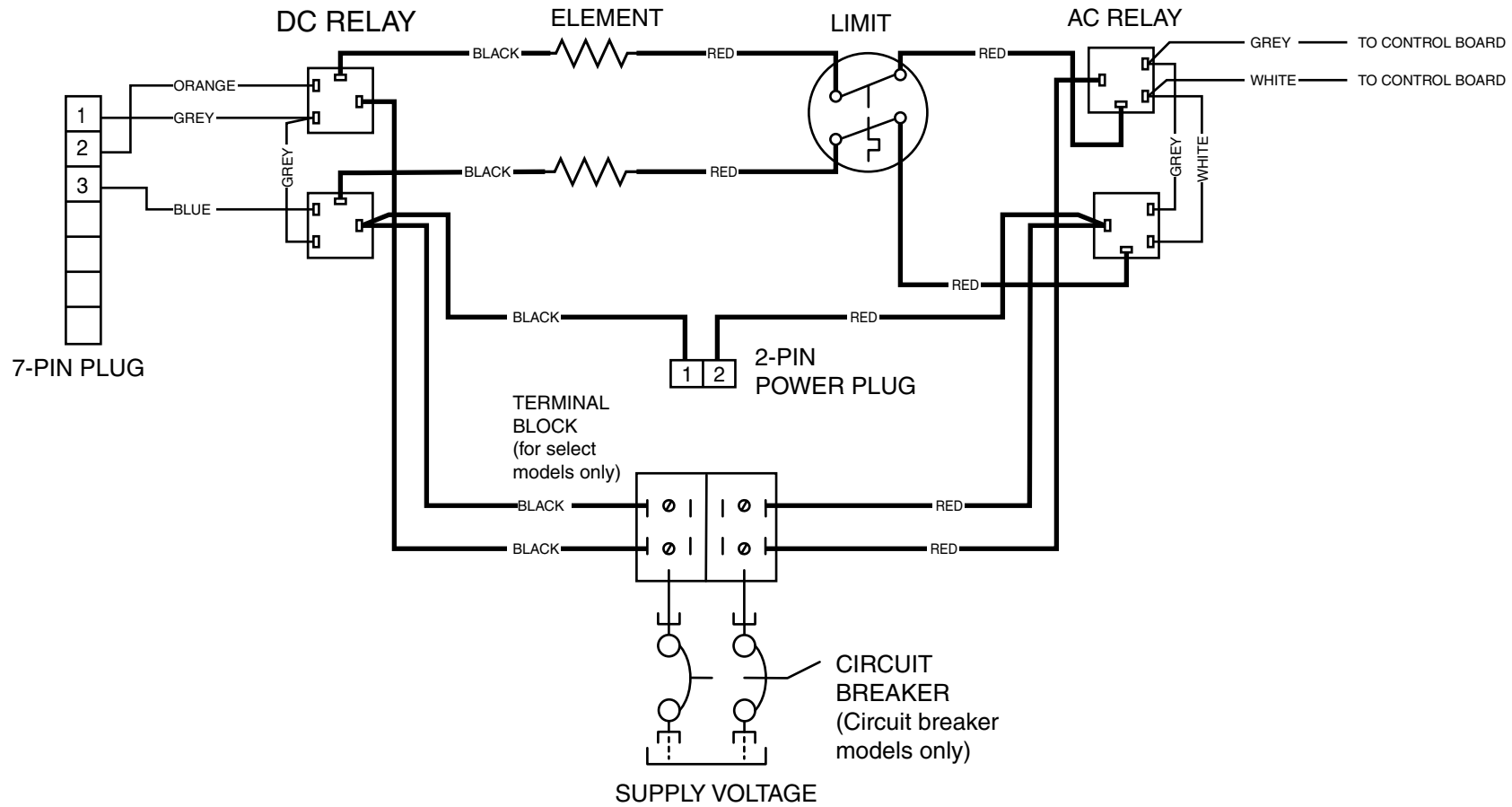


WIRING DIAGRAM

NOTES:

1. If any of the original wire supplied with this unit must be replaced, it must be replaced with wiring material of the same gauge size and temperature rating.
2. The installation of this heater kit may require a change in the blower speed tap connection. See Installation Instructions for details.
3. Use copper conductors with a minimum temperature rating of 60°C for supply connections.

H8HK008H-01 (without circuit breaker) 8kW, 10kW, 1-Stage, 240 VAC, 1-Phase Electric Heater Kit
H8HK008H-11 (with circuit breaker)
H8HK010H-11 (with circuit breaker)
H8HK010H-01 (without circuit breaker)



LEGEND:

FIELD WIRING	---
LOW VOLTAGE	—
HIGH VOLTAGE	—



711434A
 (Replaces 7114340)