

## TECHNICAL SPECIFICATIONS

# High Efficiency Return Grille Mount Electronic Air Cleaner

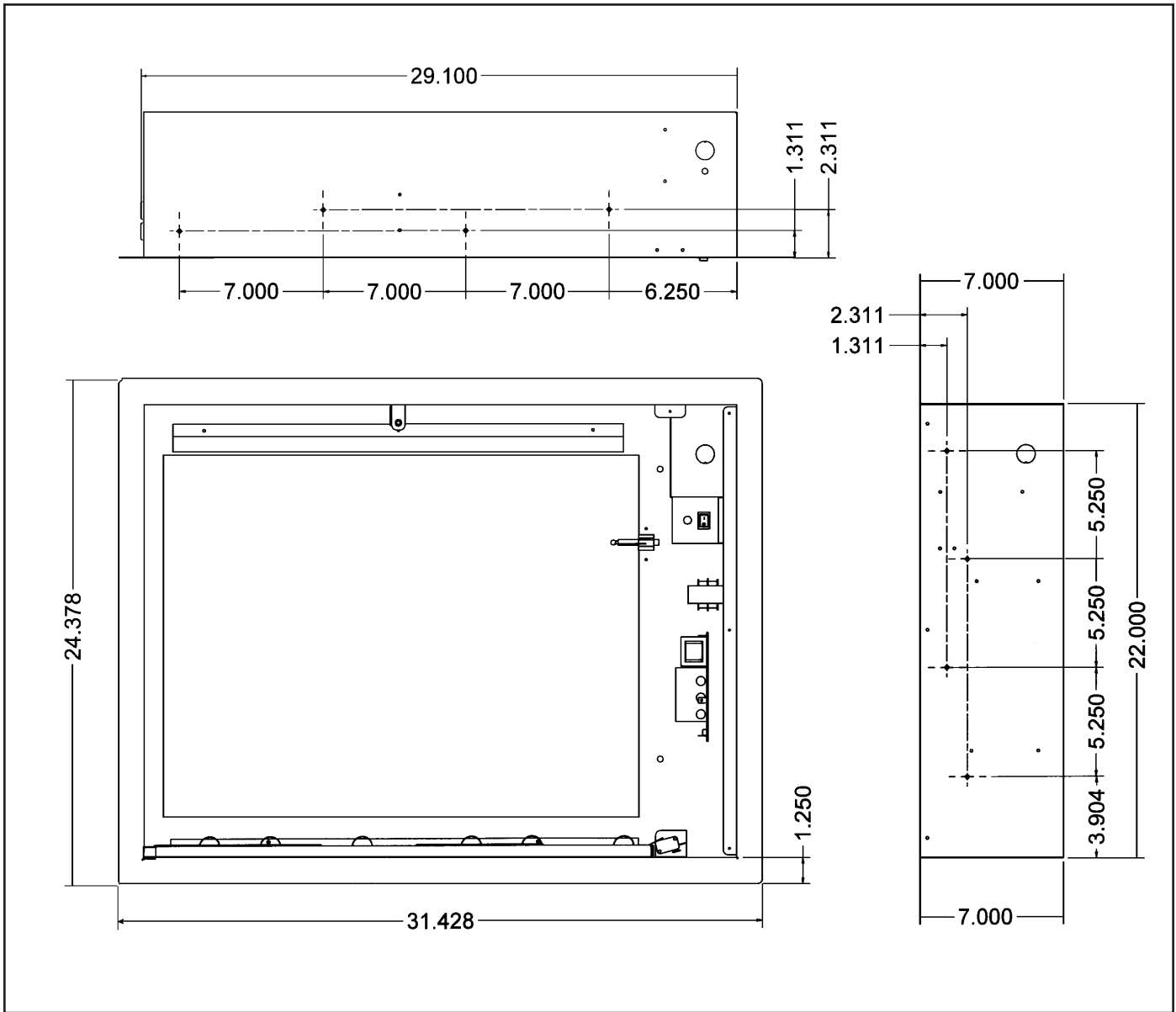
The Nortek Global HVAC High Efficiency Grille Mount Electronic Air Cleaner is designed to remove atmospheric and household dust, coal dust, insecticide dust, mites, pollen, mold spores, fungi, bacteria, viruses, pet dander, cooking smoke and grease, tobacco smoke particles and more down to 0.01 micron. Easily installs on the wall or ceiling in a ceiling box within trusses on 24 inch centers, without any structural changes. Lifetime filter system simply washes clean. Standard five year limited warranty.



## FEATURES and BENEFITS

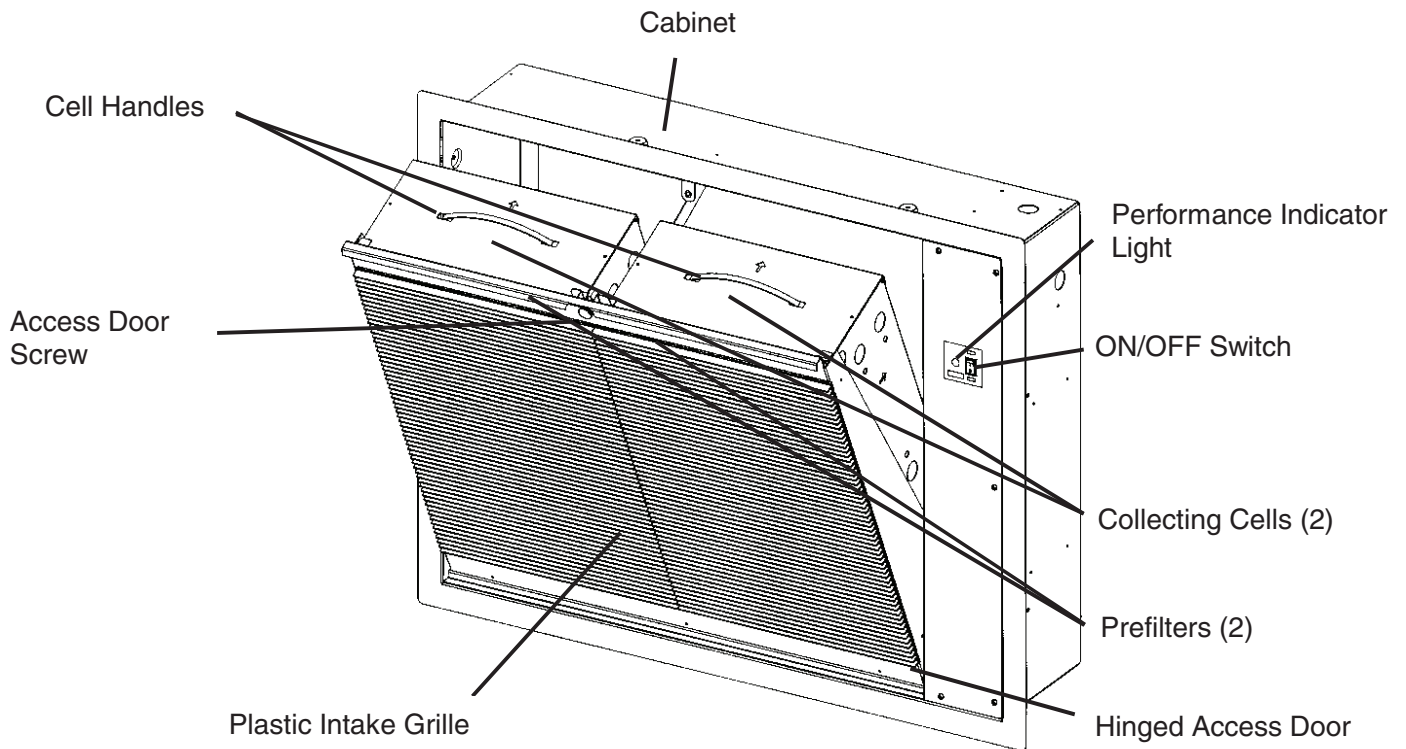
- **Prefilters (2):** Constructed of aluminum mesh, to prevent lint and large particles from entering the collecting cells.
- **Collecting Cells (2):** Constructed of heavy gauge aluminum for durability and ease of maintenance.
- **Plastic Intake Grille:** Easy to wipe clean.
- **Hinged, Swing Out Door:** Allows easy access to filters.
- **Automatic Interlock Switch:** Disconnects power when unit is opened.
- **Electronic Air Proving Switch (AS):** Allows for quick wiring. Automatically cycles Air Cleaner on/off with the system fan.
- **Performance Indicator Light (Green LED):** Indicates high voltage to the collecting cells, ensuring air cleaner is operating properly at a glance.
- **Solid State Power Board:** Equipped with a variable resistor (potentiometer) to adjust high voltage output (if necessary).
- **Durable Powder Coat Paint Finish on Heavy Gauge Steel:** Resists abrasion.
- **System Warranty:** If sold with a matched Nortek Global HVAC system.

# DIMENSIONS



## SPECIFICATIONS

<b>MODEL</b>	<b>N-GM20AS-A</b>
House Size	n/a
Air Flow	up to 2000 cfm up to 3398 m <sup>3</sup> /hr
Duct Size	22 x 29.1 in 55.9 x 73.9 cm
Cabinet Dimensions	31.4 x 24.4 x 7 in 79.8 x 62 x 17.8cm
Weight	38 lbs 17.5 kg
Power	120 v 60 hz 30 watts
Part Number	918442



## ACCESSORIES

Part Number	Description	Case Quantity
918419	DAX Detergent, 32 oz. Spray Bottle	6



**Intertek**

#### **GENERAL TERMS OF LIMITED WARRANTY**

Nortek Global HVAC, LLC will furnish a replacement for any part of this product which fails in normal use and service within the terms and conditions of the warranty.

For complete details of the Limited Warranty, including applicable terms and conditions, see your local installer or contact the Nortek Global HVAC, LLC warranty department for a copy.

Before purchasing this appliance, read important energy cost and efficiency information available from your retailer. Specifications and illustrations subject to change without notice and without incurring obligations. Printed in U.S.A (05/2019)