

# INSTALLATION INSTRUCTIONS

**POWER EXHAUST**  
547842 / 555578 / 555579 / 547843 / 555580 / 555581 / 555651  
FOR PACKAGE EQUIPMENT MODELS 2-5T CONVERTIBLE  
PACKAGE UNITS AC, HP, OR GAS ELECTRIC

836B-0118 (NEIPE06)

## DOWN FLOW APPLICATION

### I - SHIPPING AND PACKING LIST

Package 1 of 1 contains:

- 1 ea. - Power Exhaust Assembly
- 1 ea. - Fresh Air Hood
- 8 ea. - #10 x ½ x 16 Hex Tec

Check contents for shipping damage. Contact the last carrier immediately if any shipping damage is found.

### II - APPLICATION

The power exhaust is designed to relief excess pressure that may occur with economizers or building conditions.

### III - INSTALLATION

1. Disconnect all power to unit.
2. Cut and discard wire tie securing wire bundle for high voltage connection.

**Important - DO NOT cut other wires. Inspect for damaged connections or loose wires.**

3. Remove barometric relief hood and fresh air hood of the economizer or if installing along with economizer omit this step. **See Figure 4.**

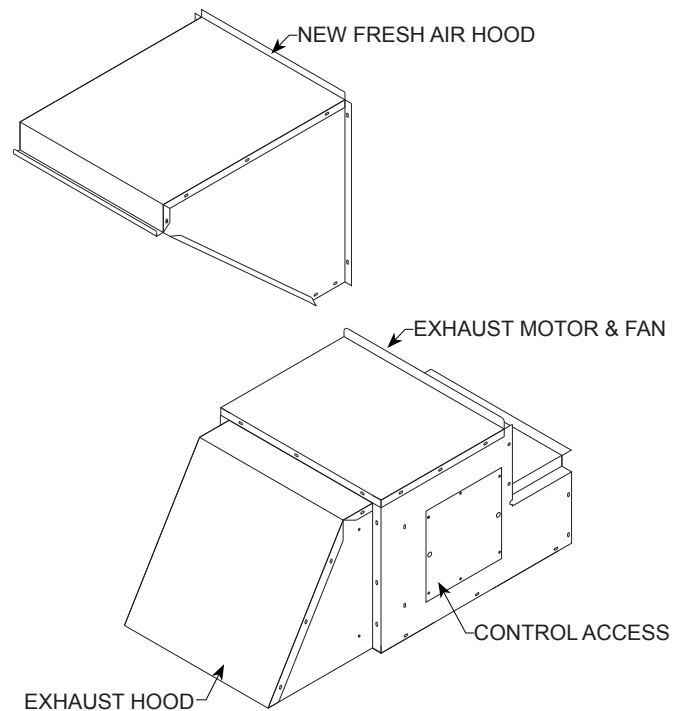


Figure 1

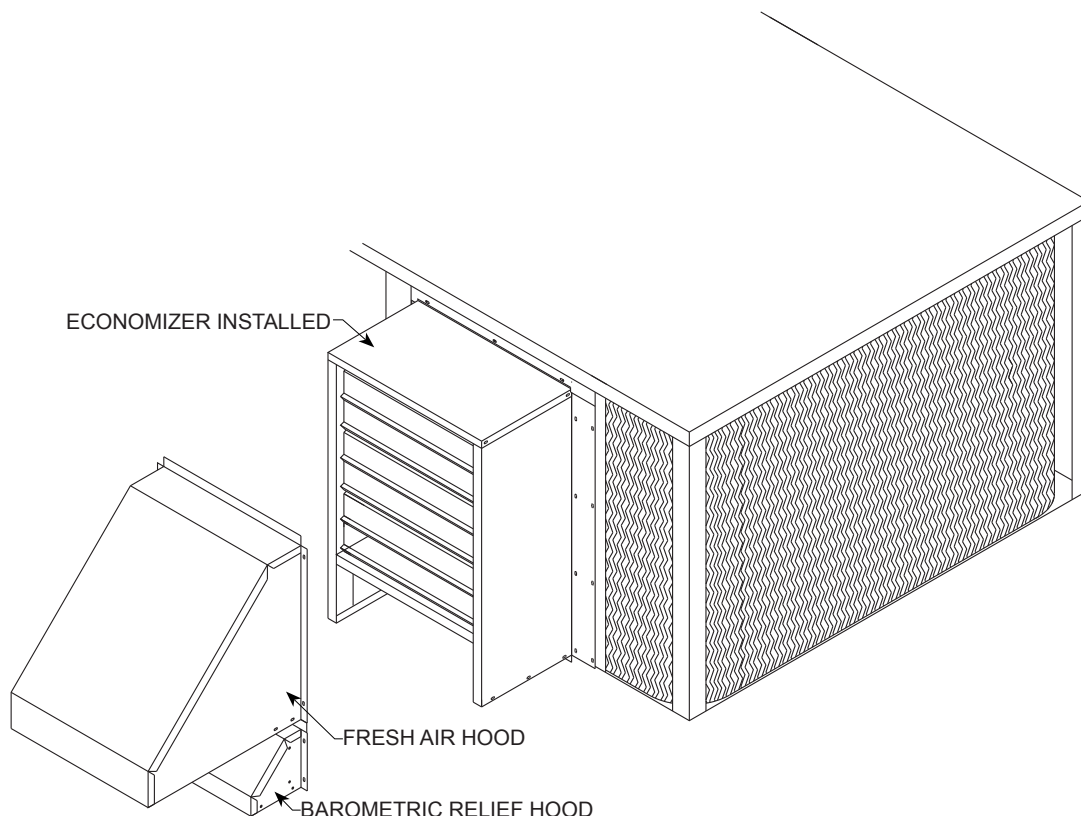


Figure 2

# INSTALLATION INSTRUCTIONS

**POWER EXHAUST**  
547842 / 555578 / 555579 / 547843 / 555580 / 555581 / 555651  
FOR PACKAGE EQUIPMENT MODELS 2-5T CONVERTIBLE  
PACKAGE UNITS AC, HP, OR GAS ELECTRIC

836B-0118 (NEIPE06)

4. Route black and pink wires through bottom opening in economizer. Connect to black and pink wires on economizer module.

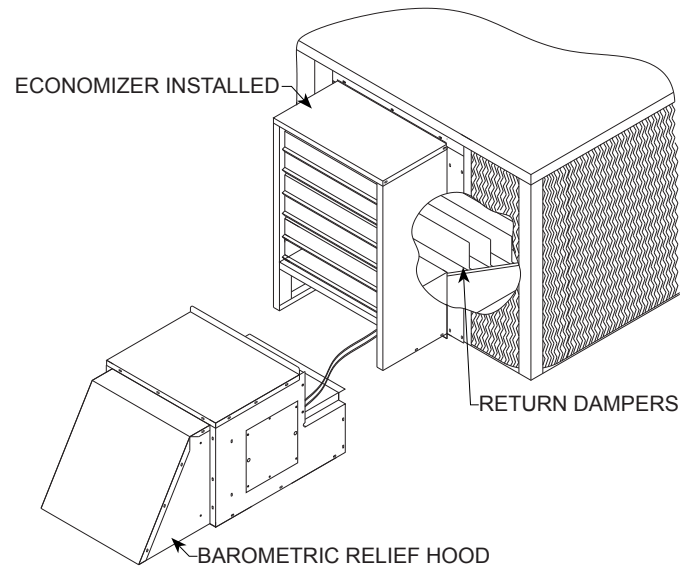
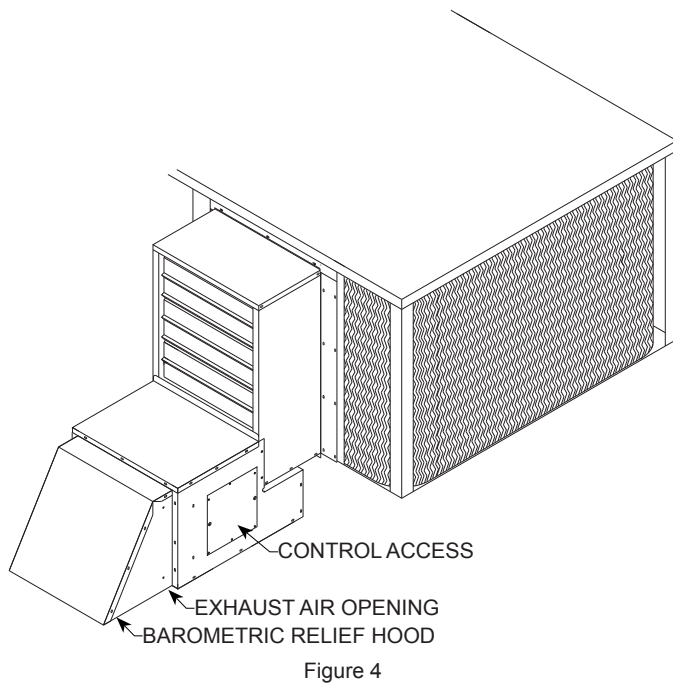


Figure 3

5. Secure power exhaust to the unit face with screws provided.

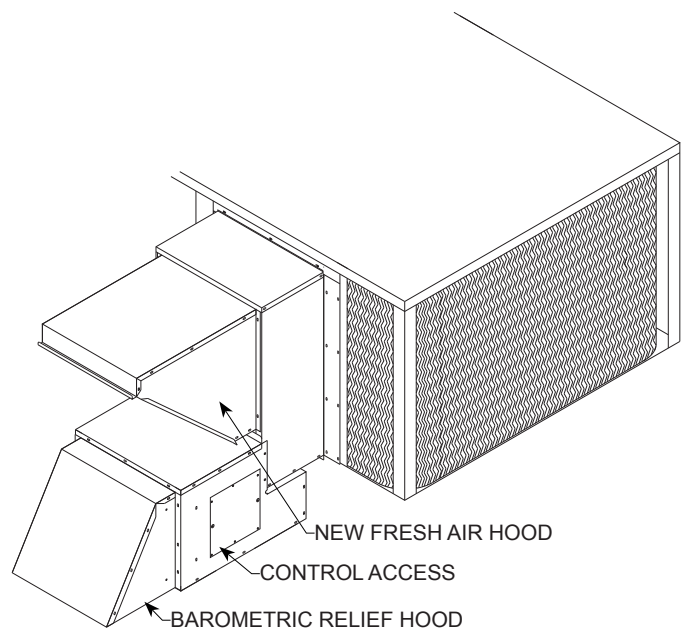


Figure 5

6. Install new fresh air hood in front of economizer.
7. Restore power to unit and check for proper operation.

# INSTALLATION INSTRUCTIONS

POWER EXHAUST  
547842 / 555578 / 555579 / 547843 / 555580 / 555581 / 555651  
FOR PACKAGE EQUIPMENT MODELS 2-5T CONVERTIBLE  
PACKAGE UNITS AC, HP, OR GAS ELECTRIC

836B-0118 (NEIPE06)

## HORIZONTAL APPLICATION

### I - SHIPPING AND PACKING LIST

Package 1 of 1 contains:

- 1 ea. - Power Exhaust Assembly
- 1 ea. - Fresh Air Hood
- 8 ea. - #10 x ½ x 16 Hex Tec
- 1 ea. - End Switch Kit

Check contents for shipping damage. Contact the last carrier immediately if any shipping damage is found.

### II - APPLICATION

The power exhaust is designed to relief excess pressure that may occur with economizers or building conditions.

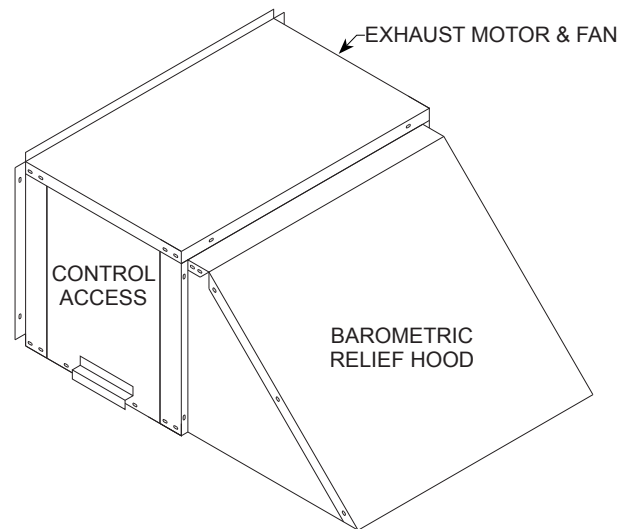


Figure 6

### III - INSTALLATION

1. Disconnect all power to unit.
2. Cut and discard wire tie securing wire bundle for high voltage connection.

**Important - DO NOT cut other wires. Inspect for damaged connections or loose wires.**

3. Route black and pink wires through bottom opening in economizer. Connect to black and pink wires on economizer module.
4. Remove barometric relief hood and fresh air hood of the economizer or if installing along with economizer omit this step. **See Figure 7.**

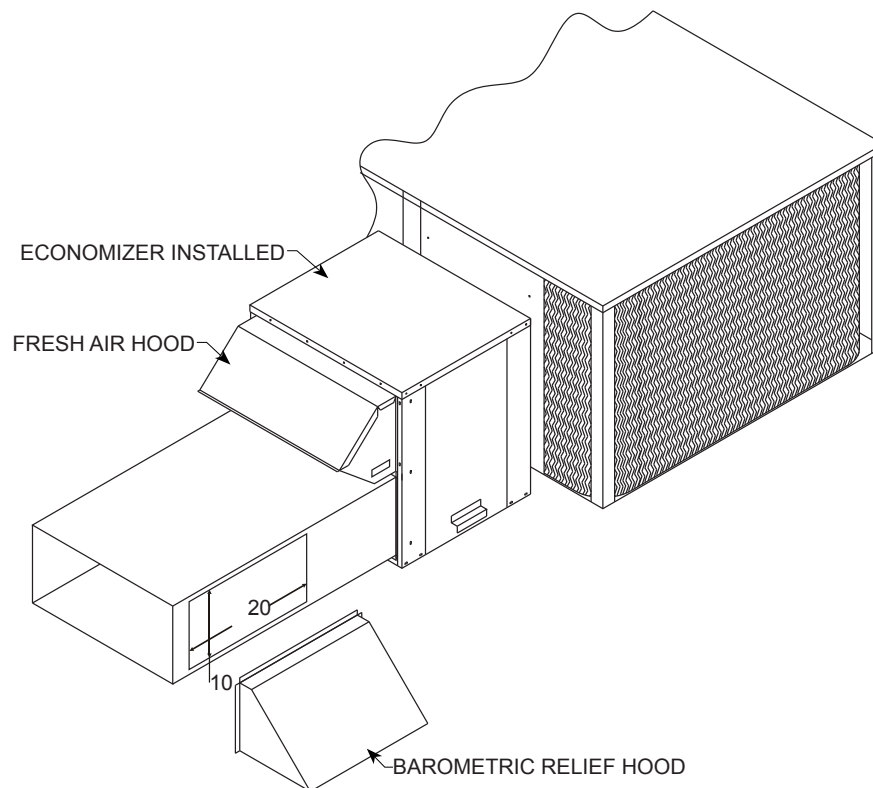


Figure 7

# INSTALLATION INSTRUCTIONS

**POWER EXHAUST**  
547842 / 555578 / 555579 / 547843 / 555580 / 555581 / 555651  
FOR PACKAGE EQUIPMENT MODELS 2-5T CONVERTIBLE  
PACKAGE UNITS AC, HP, OR GAS ELECTRIC

836B-0118 (NEIPE06)

5. Secure power exhaust to the face of the return damper with screws provided.
6. Route high voltage harness per building code.
7. Restore power to unit and check for proper operation.

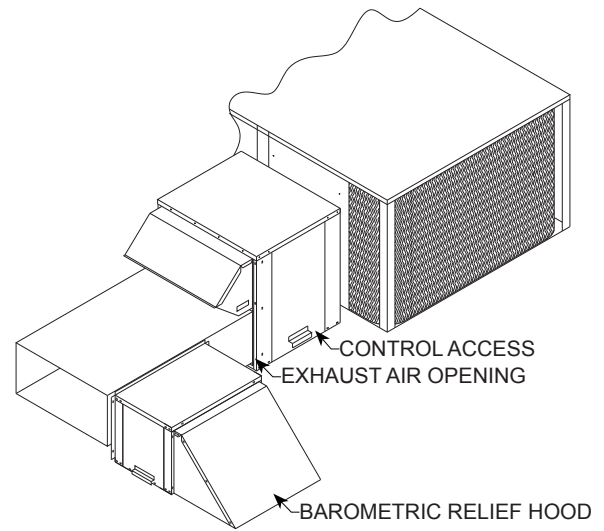
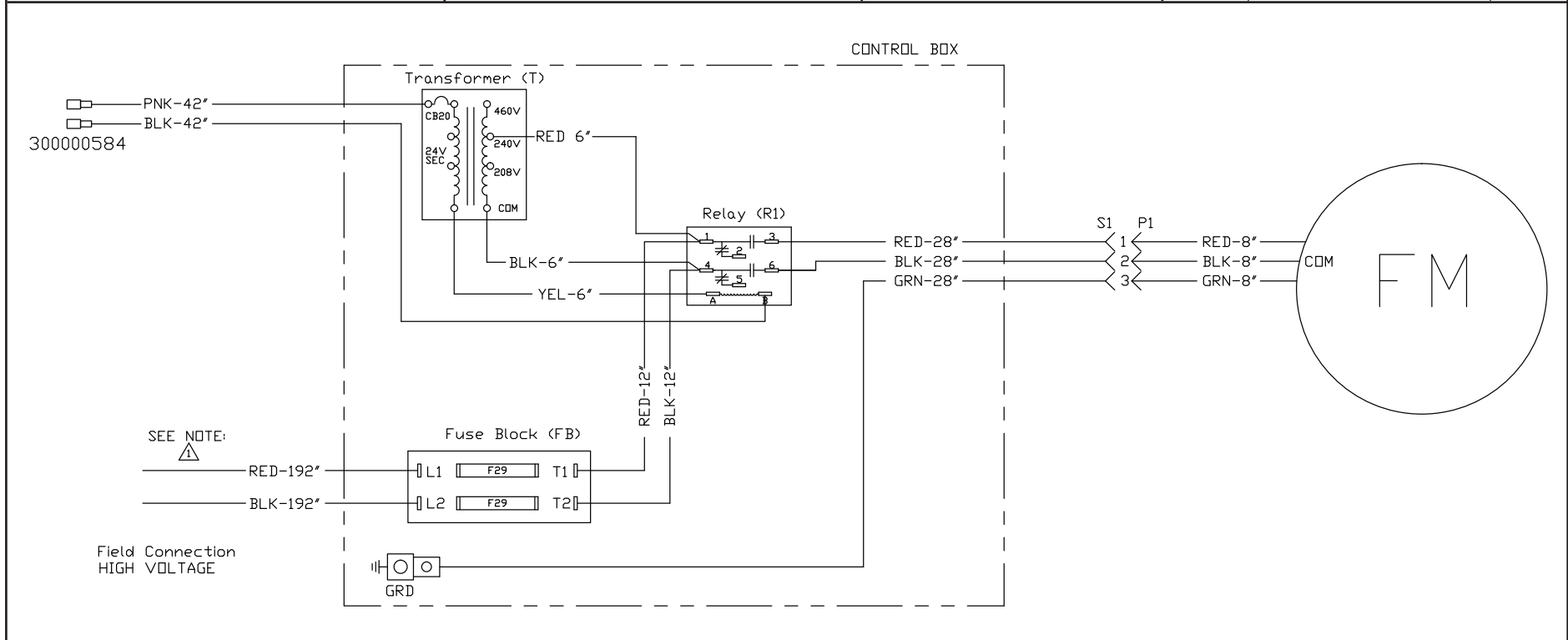


Figure 8

CONNECTOR & CONTACT CONFIGURATION				COMPONENT CODE		WIRE COLOR CODE				Revision	Change	Date	
P1	PLUG	30303900	PIN	30303912	FM	Fan Motor	BLK	Black	BLU	Blue	A	Changed wiring drawing	01-03-18
S1	CAP	300000289	SOCKET	30303913	GRD	Ground	BRN	Brown	GRN	Green			
					P1	Fan Plug Male	GRY	Gray	ORG	Orange			
					R1	Relay	PNK	Pink	RED	Red			
					S1	Control Box Female	TAN	Tan	VIO	Violet			
					T	Transformer	WHT	White	YEL	Yellow			
<b>HARNESS LEADS ARE 14 GA. WIRE WITH NO END DESIGNATION</b>													



Notes:

- Unit may be wired for HI or LO speeds. Diagram shows the HI speed set up, to rewire for LO speed, disconnect BLK wire from relay and connect RED for LO.
- Be sure all leads from motor have been covered with tape.**

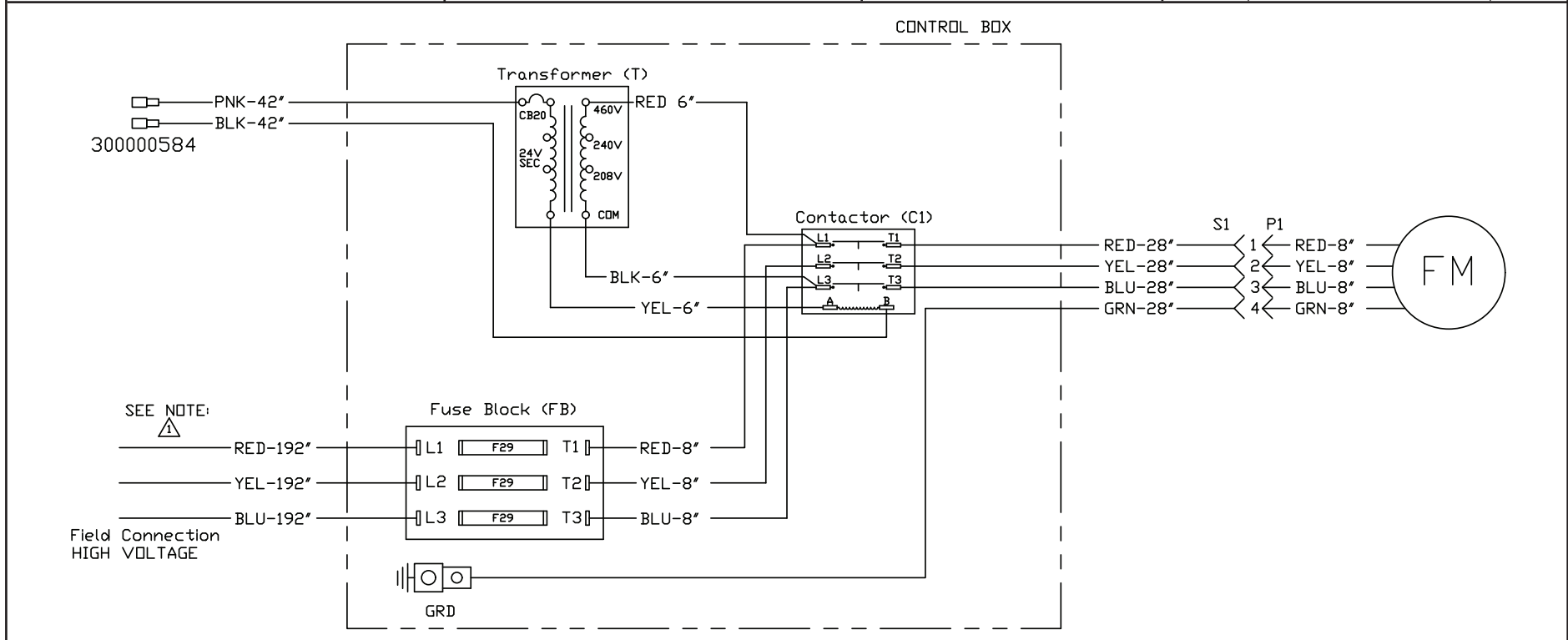
**230 Volt 1-Phase Power Exhaust for  
547842-A**

<p>1625 Diplomat Drive Carrollton, Texas 75006 Phone (972) 247-7447 Fax (972) 243-0940</p>	Date: January 3, 2018
	Supersedes: 05-04-04
	Drawn by: JP
	Unit #: 47-465-06-21
	Diagram#: 474650621W
Approved by:	

836B-0118  
NE/PE/06



CONNECTOR & CONTACT CONFIGURATION				COMPONENT CODE		WIRE COLOR CODE				Revision	Change	Date	
P1	PLUG	30303906	PIN	30303912	C1	Contactor	BLK	Black	BLU	Blue	A	Changed wiring drawing	01-03-18
S1	CAP	30303907	SOCKET	30303913	FM	Fan Motor	BRN	Brown	GRN	Green			
					GRD	Ground	GRY	Gray	ORG	Orange			
					P1	Fan Plug Male	PNK	Pink	RED	Red			
					S1	Control Box Female	TAN	Tan	VIO	Violet			
					T	Transformer	WHT	White	YEL	Yellow			
<b>HARNESS LEADS ARE 14 GA. WIRE WITH NO END DESIGNATION</b>													



Notes:  
 1. Connect harness leads to load side of blower contactor.

**460 Volt 3-Phase Power Exhaust for  
555579-0**

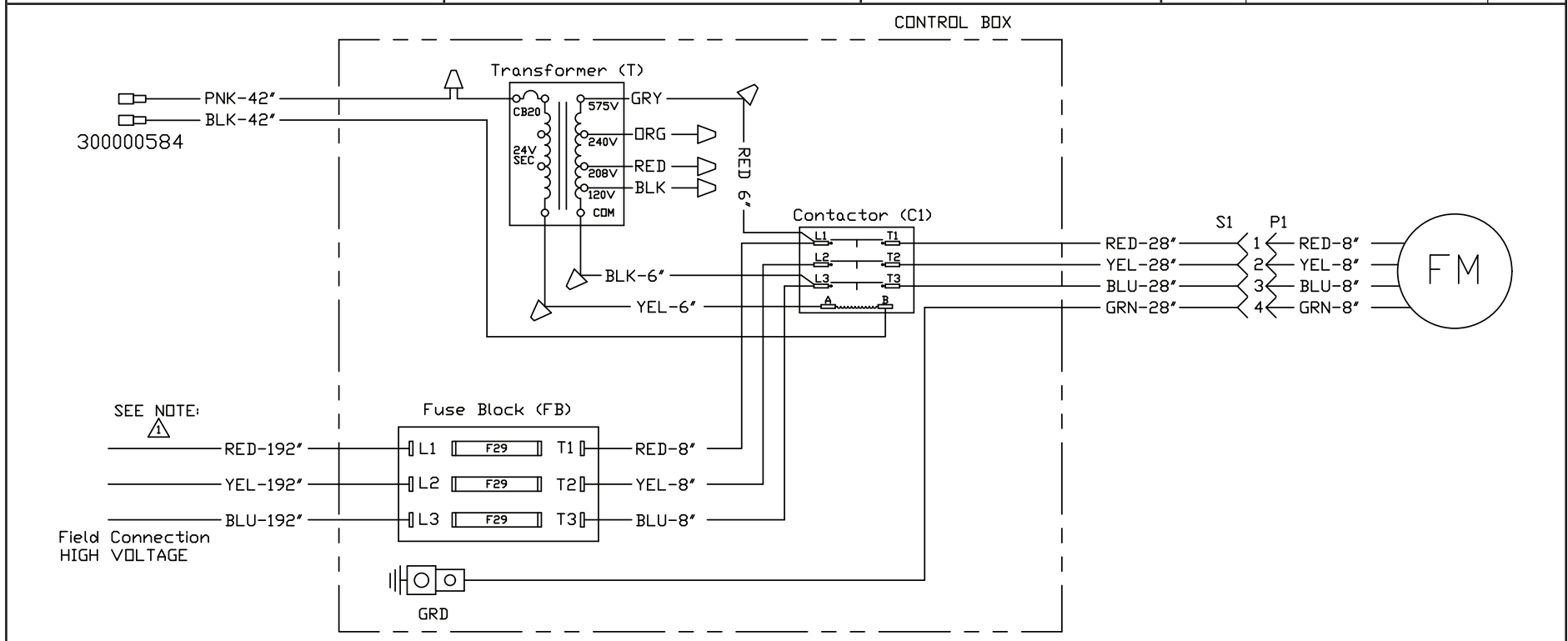
 1625 Diplomat Drive Carrollton, Texas 75006 Phone (972) 247-7447 Fax (972) 243-0940	Date: January 3, 2018
	Supersedes: 05-04-04
	Drawn by: JP
	Unit #: 47-465-06-33
	Diagram#: 474650633W
	Approved by:

836B-0118  
NEIPE06

SUPERSEDES 09-02-08 (836B-1104)  
JANUARY 3, 2018

CONNECTOR & CONTACT CONFIGURATION				COMPONENT CODE		WIRE COLOR CODE				Revision	Change	Date	
P1	PLUG	30303906	PIN	30303912	C1	Contactor	BLK	Black	BLU	Blue	A	Changed wiring drawing	01-03-18
S1	CAP	30303907	SOCKET	30303913	FM	Fan Motor	BRN	Brown	GRN	Green			
					GRD	Ground	GRY	Gray	ORG	Orange			
					P1	Fan Plug Male	PNK	Pink	RED	Red			
					S1	Control Box Female	TAN	Tan	VIO	Violet			
					T	Transformer	WHT	White	YEL	Yellow			

**HARNESS LEADS ARE 14 GA.  
WIRE WITH NO END  
DESIGNATION**



Notes:  
1. Connect harness leads of power exhaust accessory to independent power supply.

**575 Volt 3-Phase Power Exhaust for  
555651**

<p>1625 Diplomat Drive Carrollton, Texas 75006 Phone (972) 247-7447 Fax (972) 243-0940</p>	Date: January 3, 2018
	Supersedes: 02-02-05
	Drawn by: JP
	Unit #: 47-465-06-43
	Diagram#: 474650643W
	Approved by:

836B-0118  
NE/PE/06