

TECHNICAL SPECIFICATIONS

B6EMMX Series

Air Handler with TXV 14-15 SEER Residential System 18,000 - 60,000 Btuh (Heat Pump & Air Conditioner) R-410A Refrigerant

The B6EMMX Series of air handlers, when combined with our heat pump or air conditioner, offers a full line of quality, split system heating and cooling equipment.



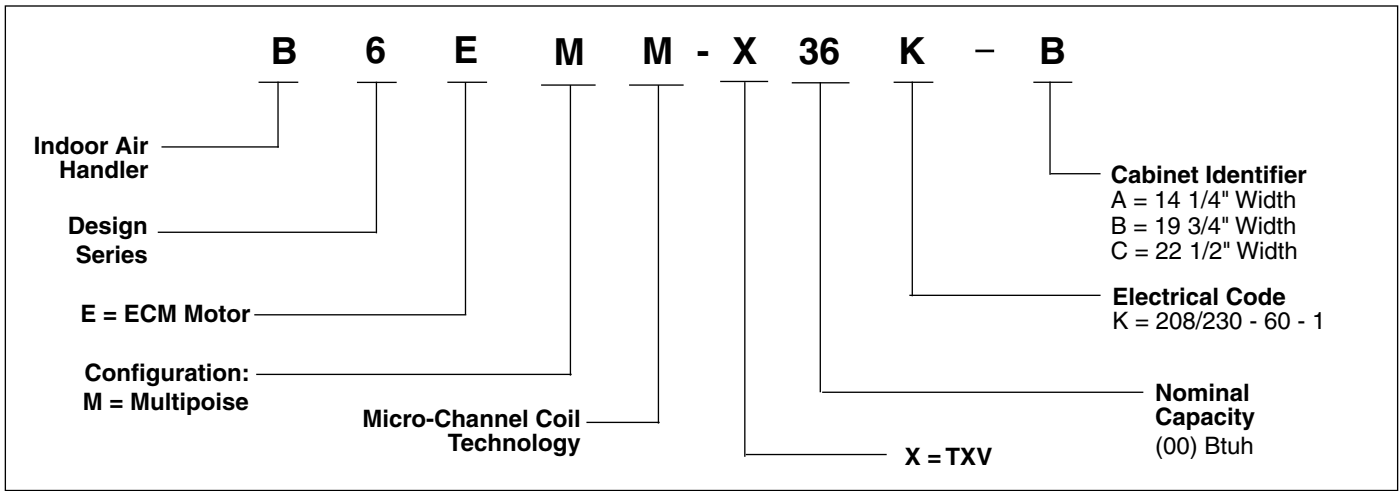
WARRANTY

- This product carries a 5-year all parts warranty. When installed with a matched outdoor unit, the air handler will carry the outdoor system warranty. See current warranty document or visit our consumer web site for warranty details.

FEATURES and BENEFITS

- **Energy Efficient Fixed Speed ECM Motor:** Provides 16 field-selectable cooling airflows and 16 field-selectable heating airflows to match any application.
- **Quiet Blower Operation:** Extra quiet and smooth blower on and off cycles.
- **Constant airflow:** Motor automatically adjusts to different static loads.
- **Selectable delay profiles:** Increases efficiency and comfort.
- **Reduced air stratification:** This results in improved air quality by optimizing humidity removal and filtration capabilities.
- **Multi-poised:** Can be used in horizontal, upflow, downflow and vertical applications.
- **Built in Filter Rack:** makes the air handler easy to service.
- **Plug-in Heater Kit:** Available in 5 kw through 30 kw (Not for use in 115 Volt units)
- **Circuit Board:** Incorporating blower time delay relay, low voltage terminal strip, and heat-strip sequencing.
- **Breaker Accessibility:** Breaker accessible from the front of the unit when heater is applied.
- **Plastic Drain Pan:** Provides corrosion resistance.
- **Durable Cabinet:** Galvanized steel with a polyurethane finish. The finish will endure 950 hours of salt spray and resist corrosion 50% better than comparable units.
- **Designed to meet the requirements 610.2.A.2:** Meets Florida building code requirements for air leakage.
- **Thermal Expansion Valve:** Factory installed externally equalized thermal expansion valve provides precise refrigerant control under varying load conditions.
- **Cabinet Insulation:** 1" insulation with an R-value of 4.2 contributes to quiet operation and prevents cabinet sweating in difficult applications.
- **Micro-Channel Coil Technology:** All aluminum coil provides high corrosion resistance.

MODEL IDENTIFICATION CODE



SPECIFICATIONS

Model B6EMMX	24K-A	24K-B	30K-A	30K-B	36K-B	42K-B	48K-C	60K-C
Refrigerant Flow Control	TXV	TXV	TXV	TXV	TXV	TXV	TXV	TXV
Maximum Available Auxiliary Heat (kw)	15	20	15	20	20	20	30	30
Nominal Blower Size (D X W)	10 x 6	11 x 8	10 x 6	11 x 8	11 x 8	11 x 8	11 x 10	11 x 10
Variable Speed Motor HP	1/2	1/2	1/2	1/2	1/2	1/2	3/4	3/4
Filter Size	12 x 20 x 1	18 x 20 x 1	12 x 20 x 1	18 x 20 x 1	18 x 20 x 1	18 x 20 x 1	20 x 20 x 1	20 x 20 x 1
Approximate Shipping Weight (lbs.)	93	105	95	107	110	117	140	140

NOTES: See current AHRI Directory for certified combinations and ratings.
www.ahridirectory.org

MINIMUM HEATING AIRFLOW SETTINGS (in CFM)

ACCESSORIES

Accessory Kit Description	Cabinet Size			Part Number
	A	B	C	
Downflow Adaptor Kit	X			917342
		X		919321
			X	919322
Single Circuit Adaptor for 2 Circuit Breakers	X	X	X	913874
Single Circuit Adaptor for 3 Circuit Breakers	n/a	n/a	X	913556

Cabinet	Nominal Electric Heat KW						
	5	8	10	15	20	25	30
A	800	900	1000	1300	N/A	N/A	N/A
B	900	1000	1100	1300	1500	N/A	N/A
C	1000	1100	1200	1400	1600	1800	2000

240v Single-Phase Electric Heater Kits

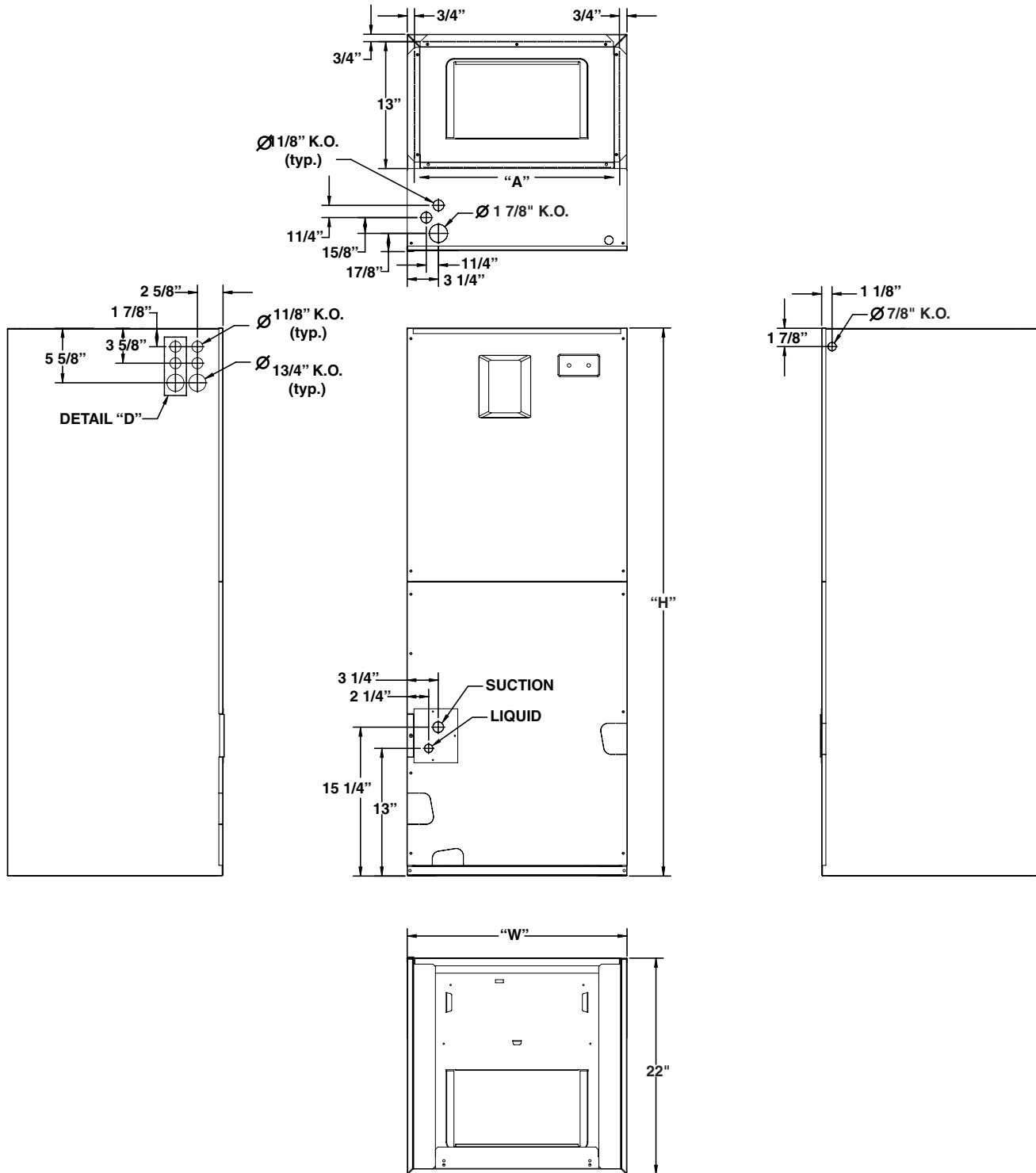
Nominal KW	Matched Units								Part Number	
	24K-A	24K-B	30K-A	30K-B	36K-B	42K-B	48K-C	60K-C	With Circuit Breakers	Without Circuit Breakers
5	X	X	X	X	X	X	X	X	904407	904406
8	X	X	X	X	X	X	X	X	904409	904408
10	X	X	X	X	X	X	X	X	904412	904411
15	X	X	X	X	X	X	X	X	904414	n/a
20	n/a	X	n/a	X	X	X	X	X	904416	n/a
25	n/a	n/a	n/a	n/a	n/a	n/a	X	X	921609	n/a
30	n/a	n/a	n/a	n/a	n/a	n/a	X	X	921610	n/a

240v Three-Phase Electric Heater Kits

Nominal KW	Matched Units								Part Number	
	24K-A	24K-B	30K-A	30K-B	36K-B	42K-B	48K-C	60K-C	With Circuit Breakers	Without Circuit Breakers
9	X	X	X	X	X	X	X	X	904410	n/a
15	X	X	X	X	X	X	X	X	904415	n/a

DIMENSIONS

Models B6EMMX	Height	Width	Refrigerant Connections		Filter Size	Supply Air Duct Dimensions
			Suction Dia.	Liquid Dia.		
24K-A	43 1/2	14 1/4	3/4	3/8	12 x 20 x 1	12 7/8 x 12 3/4
24K-B	49 1/2	19 3/4	7/8	3/8	18 x 20 x 1	12 7/8 x 18 1/4
30K-A	43 1/2	14 1/4	3/4	3/8	12 x 20 x 1	12 7/8 x 12 3/4
30K-B	43 1/2	19 3/4	3/4	3/8	18 x 20 x 1	12 7/8 x 18 1/4
36K-B	49 1/2	19 3/4	7/8	3/8	18 x 20 x 1	12 7/8 x 18 1/4
42K-B	49 1/2	19 3/4	7/8	3/8	18 x 20 x 1	12 7/8 x 18 1/4
48K-C	56	22 1/2	7/8	3/8	20 x 20 x 1	12 7/8 x 21
60K-C	56	22 1/2	7/8	3/8	20 x 20 x 1	12 7/8 x 21



ELECTRICAL DATA

Cabinet	Capacity	Model Number H6HK-	Voltage 240								Voltage 208							
			Minimum Circuit Ampacity				Maximum Over-current Rating				Minimum Circuit Ampacity				Maximum Over-current Rating			
			Circuit A	Circuit B	Circuit C	Single Circuit	Circuit A	Circuit B	Circuit C	Single Circuit	Circuit A	Circuit B	Circuit C	Single Circuit	Circuit A	Circuit B	Circuit C	Single Circuit
A	24/30	None	4.5	-	-	4.5	15.0	-	-	15.0	4.8	-	-	4.8	15.0	-	-	15.0
		005H-XX	29.5	-	-	29.5	30.0	-	-	30.0	26.4	-	-	26.4	30.0	-	-	30.0
		008H-XX	44.1	-	-	44.1	45.0	-	-	45.0	39.1	-	-	39.1	40.0	-	-	40.0
		010H-XX	54.5	-	-	54.5	60.0	-	-	60.0	48.1	-	-	48.1	50.0	-	-	50.0
		015H-XX	54.5	25.0	-	68.1	60.0	30.0	-	80.0	48.1	21.7	-	69.8	50.0	25.0	-	70.0
		009Q-XX	-	-	-	31.6	-	-	-	35.0	-	-	-	28.2	-	-	-	30.0
		015Q-XX	-	-	-	47.8	-	-	-	50.0	-	-	-	42.3	-	-	-	45.0
B	24/30/ 36/42	None	4.5	-	-	4.5	15.0	-	-	15.0	4.8	-	-	4.8	15.0	-	-	15.0
		005H-XX	29.5	-	-	29.5	30.0	-	-	30.0	26.4	-	-	26.4	30.0	-	-	30.0
		008H-XX	44.1	-	-	44.1	45.0	-	-	45.0	39.1	-	-	39.1	40.0	-	-	40.0
		010H-XX	54.5	-	-	54.5	60.0	-	-	60.0	48.1	-	-	48.1	50.0	-	-	50.0
		015H-XX	54.5	25.0	-	68.1	60.0	30.0	-	80.0	48.1	21.7	-	69.8	50.0	25.0	-	70.0
		020H-XX	54.5	50.0	-	104.5	60.0	60.0	-	110.0	48.1	43.3	-	91.4	50.0	45.0	-	100.0
		009Q-XX	-	-	-	31.6	-	-	-	35.0	-	-	-	28.2	-	-	-	30.0
		015Q-XX	-	-	-	47.8	-	-	-	50.0	-	-	-	42.3	-	-	-	45.0
C	48/60	None	6.3	-	-	6.3	15.0	-	-	15.0	6.8	-	-	6.8	15.0	-	-	15.0
		005H-XX	31.3	-	-	31.3	35.0	-	-	35.0	28.4	-	-	28.4	30.0	-	-	30.0
		008H-XX	45.8	-	-	45.8	50.0	-	-	50.0	41.1	-	-	41.1	45.0	-	-	45.0
		010H-XX	56.3	-	-	56.3	60.0	-	-	60.0	50.1	-	-	50.1	60.0	-	-	60.0
		015H-XX	56.3	25.0	-	81.3	60.0	30.0	-	90.0	50.1	21.7	-	71.8	60.0	25.0	-	80.0
		020H-XX	56.3	50.0	-	106.3	60.0	60.0	-	110.0	50.1	43.3	-	93.4	60.0	45.0	-	100.0
		025H-XX	56.3	50.0	25.0	131.3	60.0	60.0	60.0	150.0	50.1	43.3	21.7	115.1	60.0	45.0	45.0	125.0
		030H-XX	56.3	50.0	50.0	156.3	60.0	60.0	60.0	175.0	50.1	43.3	43.3	136.8	60.0	45.0	45.0	150.0
		009Q-XX	-	-	-	33.3	-	-	-	35.0	-	-	-	30.2	-	-	-	35.0
		015Q-XX	-	-	-	49.6	-	-	-	50.0	-	-	-	44.3	-	-	-	45.0

AIRFLOW DATA

	Switch Settings				Cooling or Heating Airflow (CFM)							
					Dry Coil ESP							
	1/5	2/6	3/7	4/8	0.1	0.2	0.3	0.4	0.5	0.6	0.7	0.8
B6EMMX A-cabinet	0	0	0	0	585	550	520	460	420	405		
	1	0	0	0	710	670	650	610	560	530	475	440
	0	1	0	0	845	790	765	715	680	655	625	580
	1	1	0	0	890	865	840	785	760	710	680	655
	0	0	1	0	955	925	900	850	825	790	770	720
	1	0	1	0	1030	995	975	940	910	870	840	815
	0	1	1	0	1115	1085	1060	1020	995	965	925	905
	1	1	1	0	1155	1130	1095	1070	1040	1010	985	950
	0	0	0	1	1200	1175	1145	1110	1085	1060	1025	1000
	1	0	0	1	1240	1215	1195	1170	1140	1110	1080	1060
	0	1	0	1	1320	1290	1265	1240	1215	1185	1160	1130
	1	1	0	1	1355	1330	1305	1280	1255	1220	1200	1175
	0	0	1	1	1405	1375	1345	1325	1295	1275	1250	1210
	1	0	1	1	1440	1415	1385	1355	1325	1290	1255	1215
	0	1	1	1	1465	1425	1390	1355	1320	1290	1260	1215
	1	1	1	1	1465	1425	1390	1355	1320	1290	1260	1215
B6EMMX B-cabinet	Switch Setting				Cooling or Heating Airflow (CFM)							
					Dry Coil ESP							
	1/5	2/6	3/7	4/8	0.1	0.2	0.3	0.4	0.5	0.6	0.7	0.8
	0	0	0	0	600	550	430	390				
	1	0	0	0	660	610	540	460	425			
	0	1	0	0	830	750	695	640	580	520		
	1	1	0	0	860	825	765	690	630	600	525	485
	0	0	1	0	935	895	835	790	710	655	620	585
	1	0	1	0	1045	975	920	875	830	795	720	685
	0	1	1	0	1095	1040	995	950	900	850	805	750
	1	1	1	0	1155	1105	1060	1010	965	920	870	825
	0	0	0	1	1230	1185	1140	1090	1045	1010	965	920
	1	0	0	1	1285	1260	1210	1165	1125	1080	1040	1010
	0	1	0	1	1330	1290	1245	1205	1170	1125	1085	1045
	1	1	0	1	1395	1365	1315	1275	1235	1205	1160	1130
	0	0	1	1	1450	1405	1375	1335	1295	1260	1220	1180
1	0	1	1	1490	1450	1410	1385	1340	1300	1270	1230	
0	1	1	1	1530	1485	1460	1425	1380	1350	1310	1280	
1	1	1	1	1530	1490	1465	1425	1390	1350	1310	1285	
B6EMMX C-cabinet	Switch Setting				Cooling or Heating Airflow (CFM)							
					Dry Coil ESP							
	1/5	2/6	3/7	4/8	0.1	0.2	0.3	0.4	0.5	0.6	0.7	0.8
	0	0	0	0	710	580	395					
	1	0	0	0	830	690	675	530	505			
	0	1	0	0	930	875	710	665	560	530		
	1	1	0	0	1065	1015	900	840	800	705	665	635
	0	0	1	0	1185	1115	1010	960	925	875	830	745
	1	0	1	0	1275	1220	1175	1120	1060	970	930	890
	0	1	1	0	1365	1350	1255	1200	1150	1105	1060	1025
	1	1	1	0	1480	1430	1370	1325	1265	1225	1185	1140
	0	0	0	1	1560	1535	1485	1430	1375	1335	1285	1240
	1	0	0	1	1650	1600	1545	1500	1450	1405	1360	1305
	0	1	0	1	1730	1685	1660	1610	1570	1520	1470	1420
	1	1	0	1	1785	1740	1695	1645	1615	1545	1510	1470
	0	0	1	1	1865	1820	1785	1750	1695	1655	1605	1560
1	0	1	1	1920	1890	1850	1805	1765	1715	1675	1640	
0	1	1	1	2010	1965	1960	1900	1850	1810	1775	1730	
1	1	1	1	2065	2020	1985	1955	1915	1880	1840	1810	

NOTE: 0 = OFF, 1 = ON



GENERAL TERMS OF LIMITED WARRANTY

NORDYNE will furnish a replacement for any part of this product which fails in normal use and service within the first five years of installation, in accordance with the terms of the warranty.

For complete details of the Limited Warranty, including applicable terms and conditions, see your local installer or contact the NORDYNE warranty department for a copy.

NORDYNE
COMPLETE COMFORT. GENUINE VALUE.

8000 Phoenix Parkway | O'Fallon, MO 63368-3827

Specifications and illustrations subject to change without notice and without incurring obligations. Printed in U.S.A (04/2012)

839D-0412 (Replaces 839D-0312)