

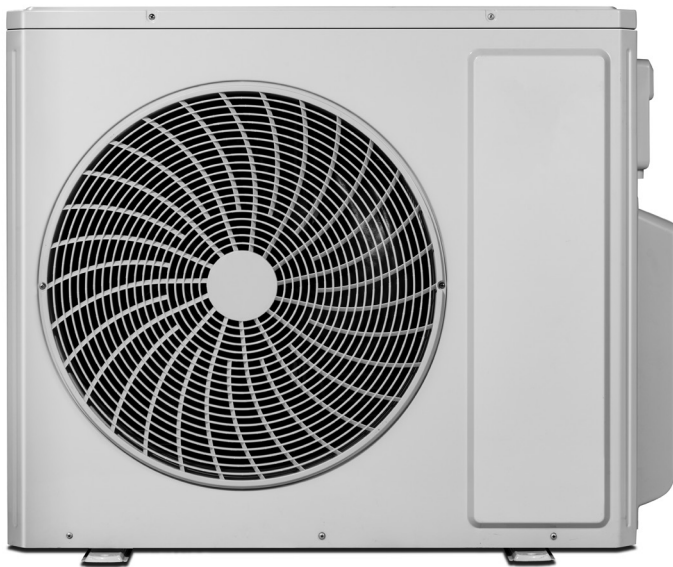
TECHNICAL SPECIFICATIONS

25 SEER2 Single Zone Series

GXH() () LSK4DH2
GHH() () LUK4DH2

Up to 25 SEER2, 10.0 HSPF2
Single-Zone Heat Pump

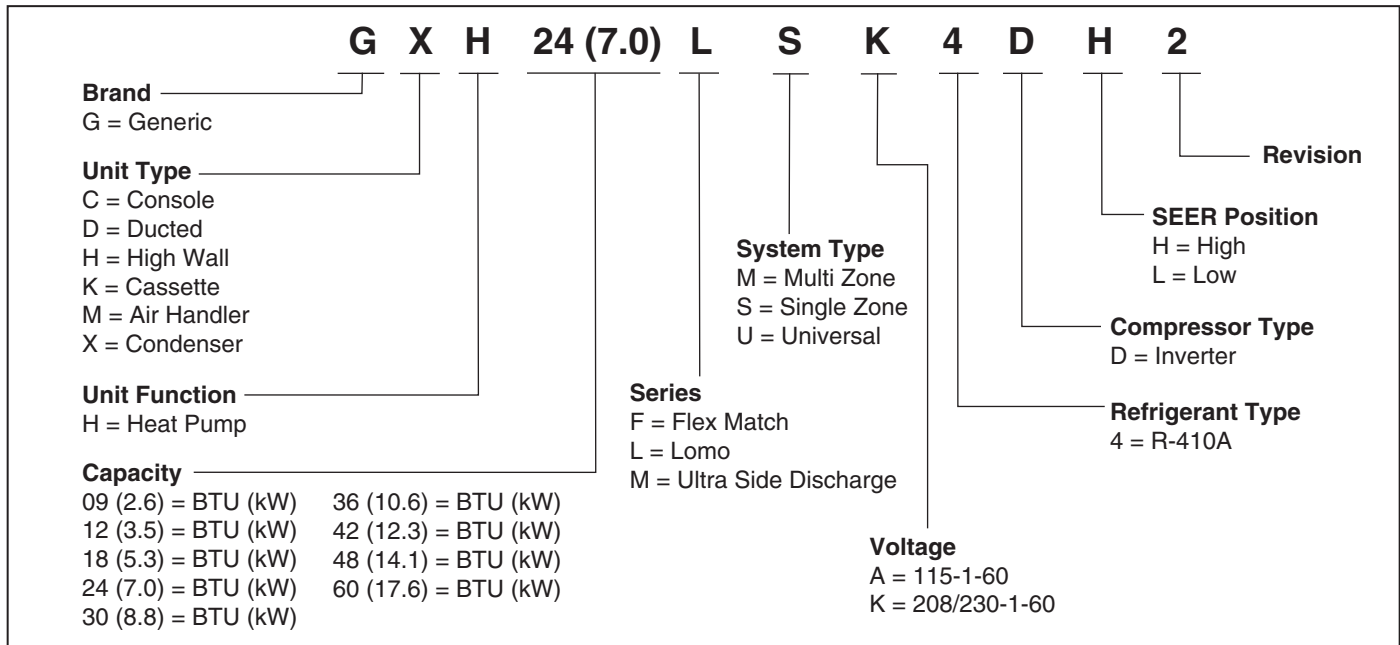
9K – 36K BTUH Capacity



FEATURES and BENEFITS

- **Inverter Driven Compressor, Fan, Blower** – State-of-the-art inverter driven technology that offers wide range of modulation
- **Wifi Capable** – Adjust the operation and temperature from a wifi capable device like a smart phone or tablet
- **Flared Piping Connections** – Ensures easy and quick installation
- **Wireless Remote Controller** – Remote include in all Single-Zone indoor units
- **Anti-Corrosion Coils** – Blue fin coatings improves the heating efficiency, accelerates defrost, and adds significant resistance to corrosive elements
- **Intelligent Defrost** – Intelligent Defrosting is only performed when needed, which reduces energy waste by eliminating the unnecessary defrosting process
- **Base Pan Heater** – prevents freezing and improves heating efficiency during low temperature operation
- **Auto Clean** – After set point temperature is satisfied, fan continues to run to dry inside of indoor unit preventing growth of mold and bacteria
- **Superior Comfort** – Wireless remote controller included with every indoor unit
- **iFeel Operation** – mini sensor in the remote control can sense its surrounding temperature, and transmit the signal back to the indoor unit
- **Turbo Cooling** – button on the remote control to enjoy increased airflow, which enables the indoor temperature to reach the set temperature in a shorter time

MODEL IDENTIFICATION CODE

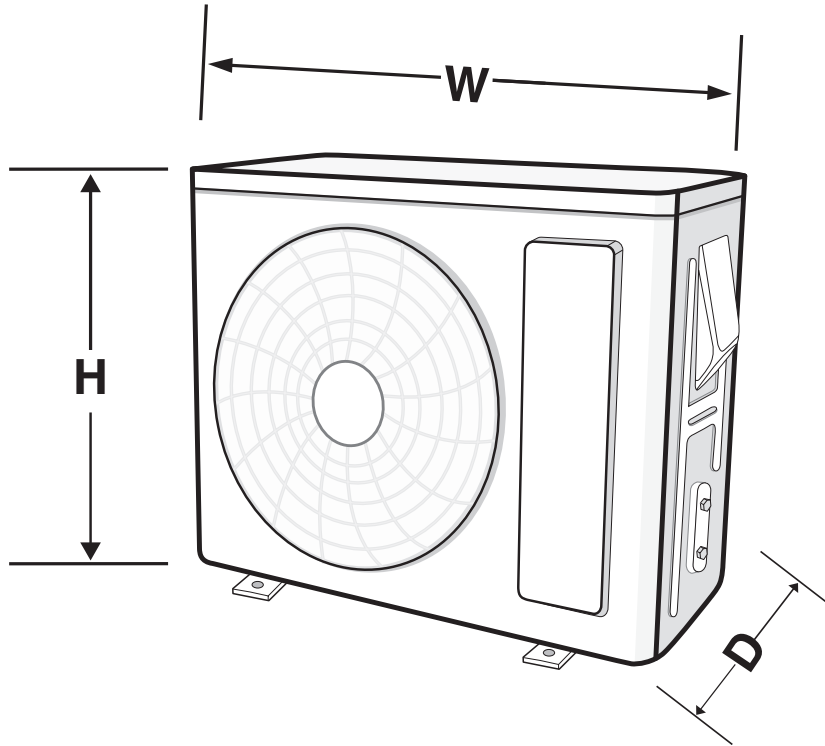


UNIT MATCHES

OUTDOOR SKU	OUTDOOR MODEL	INDOOR SKU	INDOOR MODEL	SEER2	EER2	HSPF2
1044154	GXH09(2.6)LSK4DH2	1044149	GHH09(2.6)LUK4DH2	25.50	14.69	10.20
1044155	GXH12(3.5)LSK4DH2	1044150	GHH12(3.5)LUK4DH2	24.00	12.5	9.00
1044156	GXH18(5.3)LSK4DH2	1044151	GHH18(5.3)LUK4DH2	23.00	12.5	8.5
1044157	GXH24(7.0)LSK4DH2	1044152	GHH24(7.0)LUK4DH2	24.50	13.1	9.5
1044147	GXH30(8.8)LSK4DH2	1044141	GHH30(8.8)LUK4DH2	20.00	11.25	8.5
1044158	GXH36(10.6)LSK4DH2	1044153	GHH36(10.6)LUK4DH2	20.00	10.5	8.5

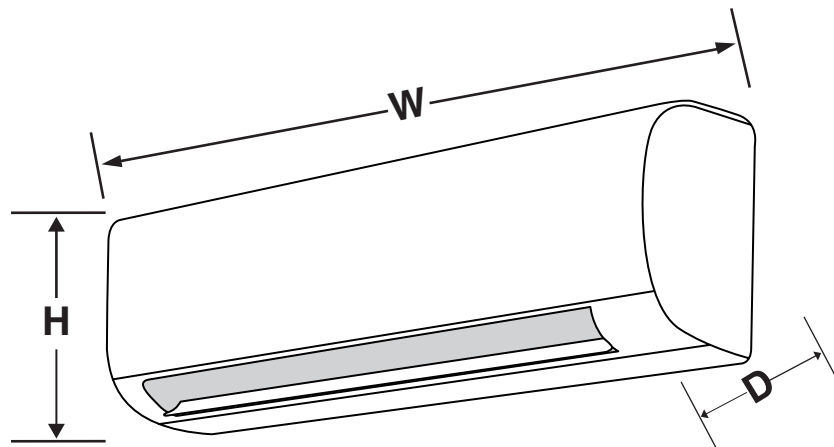
OUTDOOR DIMENSIONS

GXH(_)_LSK4DH2	9K	12K	18K	24K	30K	36K
H	21.85"	21.85"	26.00"	29.37"	29.37"	29.37"
W	31.57"	31.57"	37.71"	39.37"	39.37"	39.37"
D	13.78"	13.78"	15.82"	16.81"	16.81"	16.81"

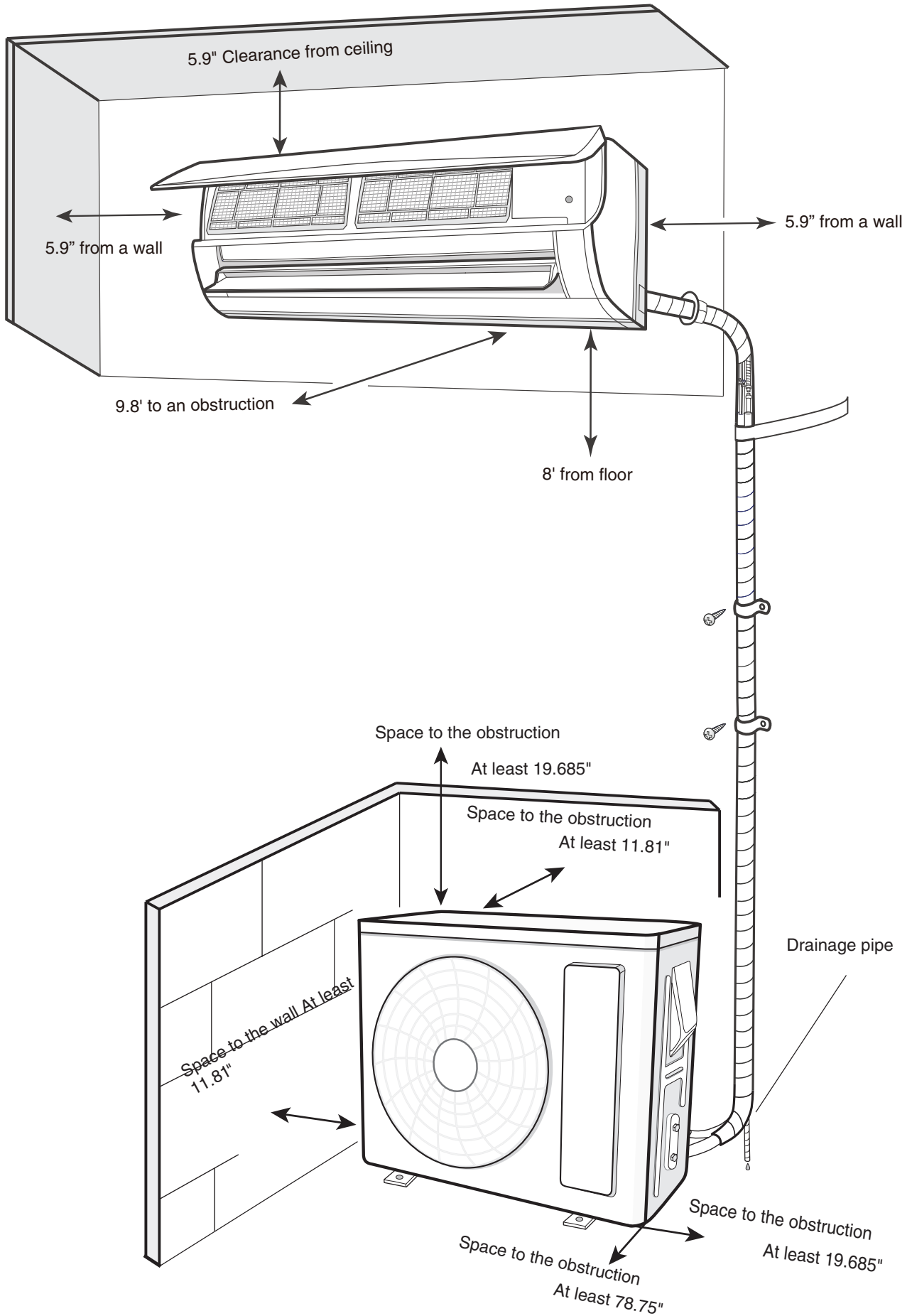


INDOOR DIMENSIONS

GHH(_)_LUK4DH2	9K	12K	18K	24K	30K	36K
H	11.38"	11.38"	11.81"	12.80"	12.83"	12.83"
W	33.27"	33.27"	38.18"	42.44"	53.14"	53.14"
D	8.23"	8.23"	8.81"	9.68"	9.96"	9.96"



CLEARANCES



PHYSICAL AND ELECTRICAL SPECIFICATIONS / OUTDOOR UNITS

25 SEER2 — High Efficiency — Single Phase

Unit Size		09K	12K	18K	24K	30K	36K
Electrical Data	Motor Full Load Amp (FLA)	0.40	0.40	1.35	0.60	0.90	1.50
	Fan Motor RPM	850	900	820	850	850	850
	Fan Motor Output (watts)	30	30	60	90	90	90
	Compressor RLA	6.5	6.8	9.6	11.0	14.2	16.0
	MOP	15	15	20	25.0	30	35
	MCA	10	10	15	16.0	20	23
Refrigeration Data	Condenser Number of Rows	2					
	Refrigerant	R-410A					
	Refrigerant Charge (oz.)	35.28	42.34	54.70	60.00	74.10	84.70
	Throttling Method	Electronic Expansion Valve (EXV)					
	Cooling Operation Ambient Temperature Range	-20~122	-20~122	-20~122	-20~122	-4~115	-4~115
	Heating Operation Ambient Temperature Range	-22~86	-22~86	-22~86	-22~86	-13~75	-13~75
Precharged Lineset Length	Length	24.6'	24.6'	24.6'	24.6'	24.6'	24.6'
Maximum Piping	Height	32.8'	32.8'	32.8'	32.8'	32.8'	32.8'
	Length	49.2'	65.6'	82'	82'	82'	82'
Connecting Pipe Diameter	Suction (inch)	3/8"	1/2"	5/8"	5/8"	5/8"	5/8"
	Liquid (inch)	1/4"	1/4"	1/4"	1/4"	1/4"	1/4"
Performance Data	Minimum Cooling Capacity	1,535	3,070	5,118	7,780	7,500	8,870
	Maximum Cooling Capacity	10,747	14,098	21,154	28,000	35,500	37,200
	Minimum Heating Capacity	3,412	3,070	4,436	7,200	9,100	10,200
	Maximum Heating Capacity	14,671	15,500	21,154	30,708	36,850	38,500
Sound Level	Decibels (dB)	41	44	59	52	62	62
Weight	Pounds (LB)	76	76	106	137	124	139

No additional refrigerant is needed if total line set length does not exceed the specified length in the above chart. If length exceeds the specified length, refer to the chart on page 7 or the installation instructions for additional charge amounts per foot.

PHYSICAL AND ELECTRICAL SPECIFICATIONS / INDOOR UNITS
25 SEER2 — High Efficiency — Single Phase

Unit Size		09K	12K	18K	24K	30K	36K
Electrical Data	Motor (RLA)	0.22	0.20	0.40	0.40	0.60	0.75
	Fan Motor RPM Cooling	1300/1200/ 1120/1050/ 950/850/ 750/500	1400/1200/ 1120/1050/ 950/850/ 750/500	1400/1300/ 1200/1100/ 1000/900/ 800	1500/1150/ 1100/1000/ 950/900/ 850	1550/1300/ 1200/1100/ 1000/950/ 850	1550/1300/ 1200/1100/ 1000/950/ 850
	Fan Motor RPM Heating	1300/1200/ 1140/1080/ 1020/960/ 900	1400/1200/ 1140/1080/ 1020/960/ 900	1400/1270/ 1200/1130/ 1050/980/ 900	1500/1200/ 1100/1050/ 1000/950/ 900	1500/1300/ 1200/1100/ 1000/950/ 900	1500/1300/ 1200/1100/ 1000/950/ 900
	Fan Motor Output (watts)	20	20	45	60	70	70
Performance Data	Minimum CFM	158	229	282	382	471	471
	Maximum CFM	353	400	506	735	912	912
	Set Temp Range	61~86	61~86	61~86	61~86	61~86	61~86
Pipe Diameter	Suction	3/8"	1/2"	5/8"	5/8"	5/8"	5/8"
	Liquid	1/4"	1/4"	1/4"	1/4"	1/4"	1/4"
Sound Level (dB)	Minimum Cooling	25	27	32	34	37	37
	Maximum Cooling	40	44	48	52	56	56
Weight	Pounds (LB)	25	26	35	42	54	54

ADDITIONAL CHARGE TABLE

Model Number	SKU#	Standard Line Set Length	Additional Refrigerant charge(oz/ft)
GXH09(2.6)LSK4DH2	1044154	24.6'	0.2
GXH12(3.5)LSK4DH2	1044155	24.6'	0.2
GXH18(5.3)LSK4DH2	1044156	24.6'	0.5
GXH24(7.0)LSK4DH2	1044157	24.6'	0.5
GXH30(8.8)LSK4DH2	1044147	24.6'	0.5
GXH36(10.6)LSK4DH2	1044158	24.6'	0.5



GENERAL TERMS OF LIMITED WARRANTY

Nortek Global HVAC, LLC will furnish a replacement for any part of this product which fails in normal use and service within the terms and conditions of the warranty.

For complete details of the Limited Warranty, including applicable terms and conditions, see your local installer or contact the Nortek Global HVAC, LLC warranty department for a copy.

Before purchasing this appliance, read important energy cost and efficiency information available from your retailer. Specifications and illustrations subject to change without notice and without incurring obligations. Printed in U.S.A. (07/23)