

TECHNICAL SPECIFICATIONS

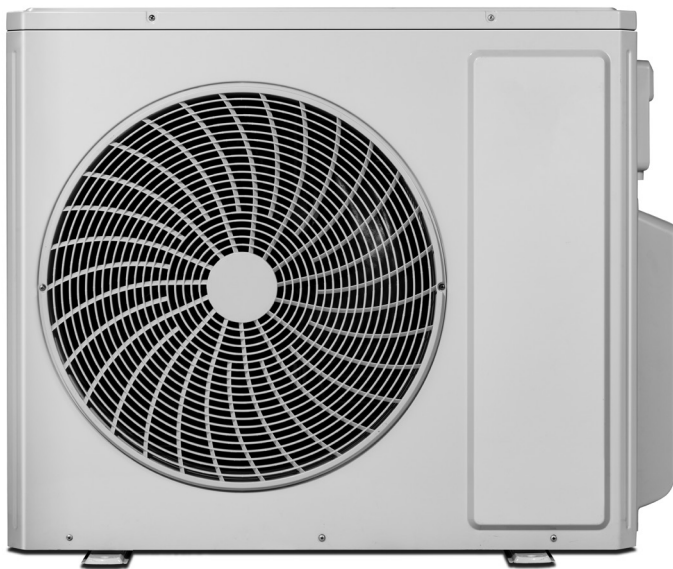
17 SEER2 Single Zone Series

GXH()()LSA4DL2
GHH()()LSA4DL2

GXH()()LSK4DL2
GHH()()LSK4DL2

Up to 18 SEER2, 11.6 HSPF2
Single-Zone Heat Pump

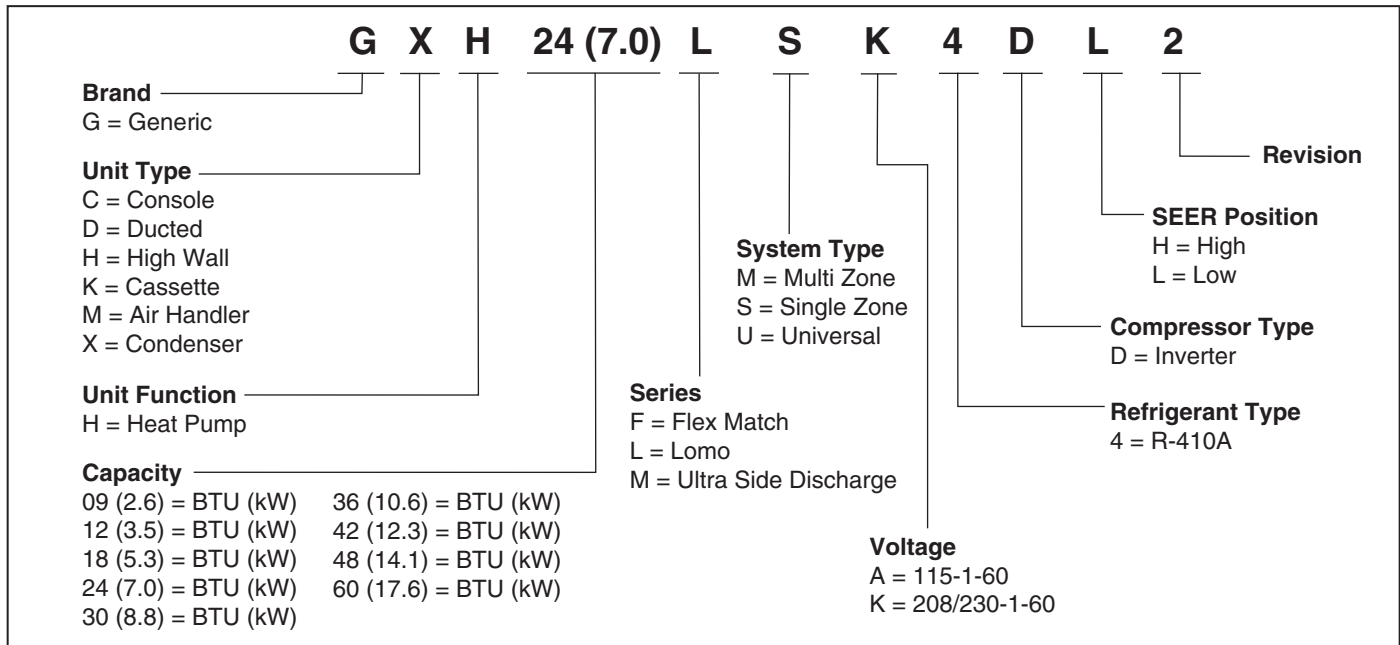
9K – 24K BTUH Capacity



FEATURES and BENEFITS

- **Inverter Driven Compressor, Fan, Blower** – State-of-the-art inverter driven technology that offers wide range of modulation
- **Wifi Capable** – Adjust the operation and temperature from a wifi capable device like a smart phone or tablet
- **Flared Piping Connections** – Ensures easy and quick installation
- **Wireless Remote Controller** – Remote include in all Single-Zone indoor units
- **Anti-Corrosion Coils** – Blue fin coatings improves the heating efficiency, accelerates defrost, and adds significant resistance to corrosive elements
- **Intelligent Defrost** – Intelligent Defrosting is only performed when needed, which reduces energy waste by eliminating the unnecessary defrosting process
- **Base Pan Heater** – prevents freezing and improves heating efficiency during low temperature operation
- **Auto Clean** – After set point temperature is satisfied, fan continues to run to dry inside of indoor unit preventing growth of mold and bacteria
- **Superior Comfort** – Wireless remote controller included with every indoor unit
- **Turbo Cooling** – button on the remote control to enjoy increased airflow, which enables the indoor temperature to reach the set temperature in a shorter time

MODEL IDENTIFICATION CODE



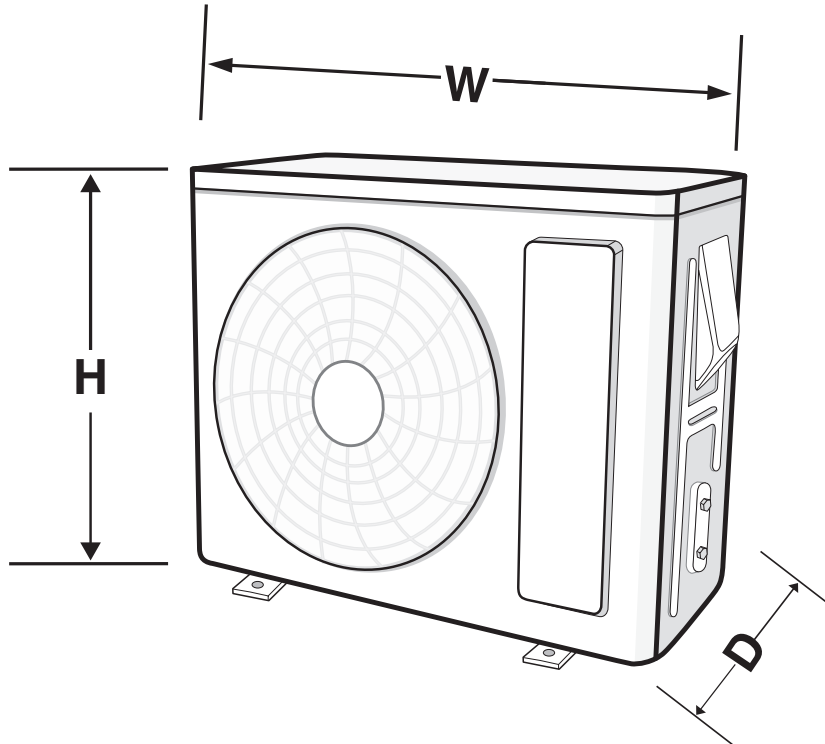
UNIT MATCHES

OUTDOOR SKU	OUTDOOR MODEL	INDOOR SKU	INDOOR MODEL	SEER2	EER2	HSPF2
1042163	GXH09(2.6)LSA4DL2	1042162	GHH09(2.6)LSA4DL2	18.0	10.7	8.5
1042165	GXH12(3.5)LSA4DL2	1042164	GHH12(3.5)LSA4DL2	16.5	8.7	8.5

OUTDOOR SKU	OUTDOOR MODEL	INDOOR SKU	INDOOR MODEL	SEER2	EER2	HSPF2
1044143	GXH09(2.6)LSK4DL2	1044137	GHH09(2.6)LSK4DL2	17.5	10.2	8.4
1044144	GXH12(3.5)LSK4DL2	1044138	GHH12(3.5)LSK4DL2	16.5	8.7	8.5
1044145	GXH18(5.3)LSK4DL2	1044139	GHH18(5.3)LSK4DL2	16.0	9.55	8.2
1044146	GXH24(7.0)LSK4DL2	1044140	GHH24(7.0)LSK4DL2	18.0	11.6	8.5

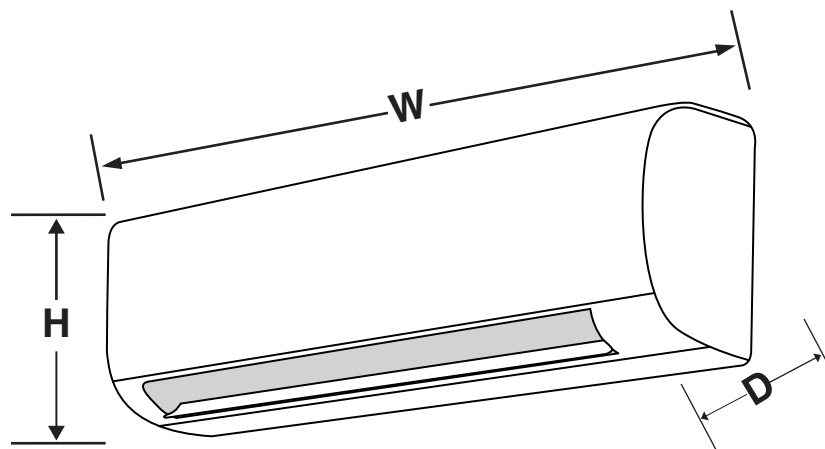
OUTDOOR DIMENSIONS

GXH() () LS() 4DL2	9K	12K	18K	24K
H	21.85"	21.85"	21.85"	28.82"
W	28.82"	28.82"	31.57"	37.72"
D	13.00"	13.00"	13.78"	15.83"

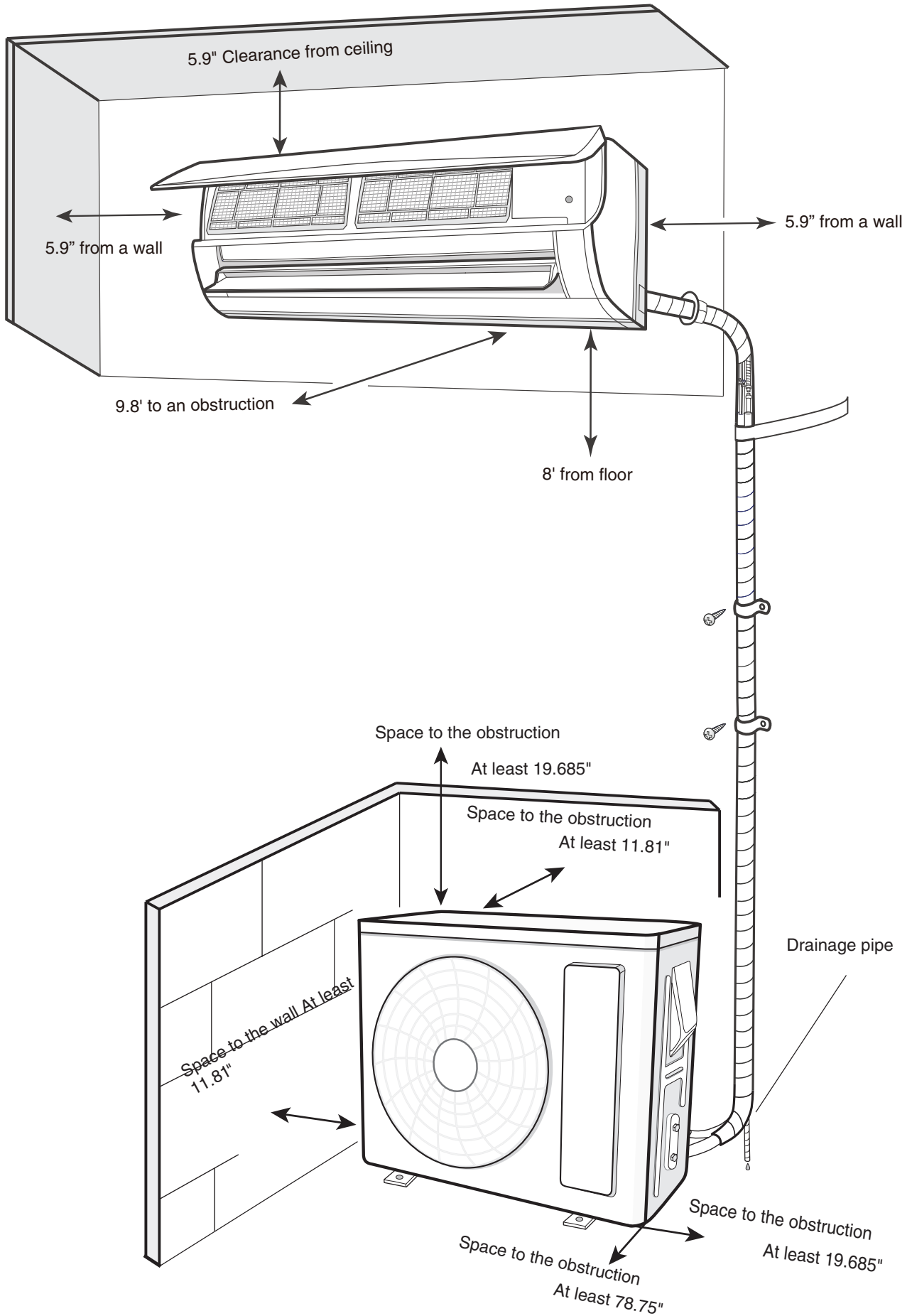


INDOOR DIMENSIONS

GHH() () L() 4DL2	9K	12K	18K	24K
H	10.83"	11.38"	11.81"	12.80"
W	31.10"	33.27"	38.18"	42.44"
D	7.87"	8.23"	8.81"	9.68"



CLEARANCES



PHYSICAL AND ELECTRICAL SPECIFICATIONS / OUTDOOR UNITS

17 SEER2 — High Efficiency — Single Phase

Model		LSA4DL2		LSK4DL2			
Unit Size		09K	12K	09K	12K	18K	24K
Electrical Data	Motor Full Load Amp (RLA)	0.40	0.40	0.40	0.40	0.50	0.73
	Fan Motor RPM	900	900	850	900	900	880
	Fan Motor Output (watts)	30	30	30	30	30	60
	Compressor RLA	11.20	15.00	5.90	6.80	9.35	10.39
	MOP	25	30	15	15	20	20
	MCA	17	20	9	10	14	15
Refrigeration Data	Refrigerant	R-410A					
	Refrigerant Charge (oz.)	24.00	24.70	24.30	27.52	42.40	52.90
	Throttling Method	Electronic Expansion Valve (EXV)					
	Cooling Operation Ambient Temperature Range	0~118°F	0~118°F	0~118°F	0~118°F	0~118°F	0~118°F
	Heating Operation Ambient Temperature Range	-13~75°F	-13~75°F	-13~75°F	-13~75°F	-13~75°F	-13~75°F
Precharged Lineset Length	Length	24.6'					
Maximum Piping	Height	32.8'					
	Length	49'	65'	49'	65'	82'	82'
Connecting Pipe Diameter	Suction (inch)	3/8"	3/8"	3/8"	3/8"	1/2"	5/8"
	Liquid (inch)	1/4"	1/4"	1/4"	1/4"	1/4"	1/4"
Performance Data	Minimum Cooling Capacity	3,900	2,388	2,150	2,388	3,753	6,824
	Maximum Cooling Capacity	10,900	13,307	10,236	13,307	19,278	25,249
	Minimum Heating Capacity	879	700	650	700	1,200	1,650
	Maximum Heating Capacity	13,000	15,013	11,500	13,648	22,519	26,614
Sound Level	Decibels (dB)	51	52	52	52	57	57
Weight	Pounds (LB)	65	64	62	62	75	107

No additional refrigerant is needed if total line set length does not exceed the specified length in the above chart. If length exceeds the specified length, refer to the installation instructions for additional charge amounts per foot.

PHYSICAL AND ELECTRICAL SPECIFICATIONS / INDOOR UNITS
17 SEER2 — High Efficiency — Single Phase

Model		LSA4DL2		LSK4DL2			
Unit Size		09K	12K	09K	12K	18K	24K
Electrical Data	Motor (RLA)	0.24	0.31	0.22	0.31	0.30	0.30
	Fan Motor RPM Cooling	1350/1200/ 1120/1050/ 950/850/ 750	1350/1200/ 1100/1000/ 920/850/ 800	1300/1200/ 1120/1050/ 920/860/ 800	1350/1200/ 1120/1050/ 980/920/ 850	1350/1280/ 1200/1130/ 1050/980/ 900	1300/1150/ 1100/1000/ 950/900/ 850
	Fan Motor RPM Heating	1350/1200/ 1130/1050/ 990/920/ 850	1300/1200/ 1120/1050/ 980/900/ 850	1300/1200/ 1120/1050/ 1000/950/ 900	1300/1200/ 1140/1080/ 1020/960/ 900	1350/1280/ 1200/1130/ 1050/980/ 900	1300/1200/ 1100/1050/ 1000/950/ 900
	Fan Motor Output (watts)	20	20	20	20	35	45
Performance Data	Minimum CFM	171	182	177	182	277	412
	Maximum CFM	490	500	500	500	740	1,000
	Set Temp Range	61~86°F	61~86°F	61~86°F	61~86°F	61~86°F	61~86°F
Pipe Diameter	Suction	3/8"	3/8"	3/8"	3/8"	1/2"	5/8"
	Liquid	1/4"	1/4"	1/4"	1/4"	1/4"	1/4"
Sound Level (dB)	Minimum Cooling	28	28	26	30	34	37
	Maximum Cooling	41	45	40	45	47	51
Weight	Pounds (LB)	24	27	24	27	35.3	40.8



GENERAL TERMS OF LIMITED WARRANTY

Nortek Global HVAC, LLC will furnish a replacement for any part of this product which fails in normal use and service within the terms and conditions of the warranty.

For complete details of the Limited Warranty, including applicable terms and conditions, see your local installer or contact the Nortek Global HVAC, LLC warranty department for a copy.

Before purchasing this appliance, read important energy cost and efficiency information available from your retailer. Specifications and illustrations subject to change without notice and without incurring obligations. Printed in U.S.A. (03/23)