

REPLACEMENT PARTS LIST

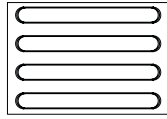
RESIDENTIAL SPLIT SYSTEM HEAT PUMP

CSH1BE4M1SP SERIES

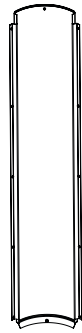
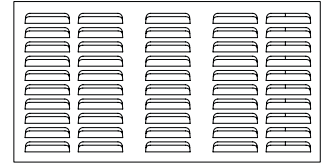
14 SEER MODELS



Corner Post Style

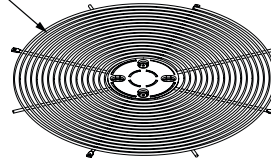


Panel Style

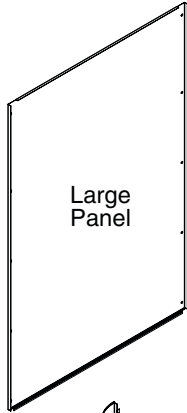
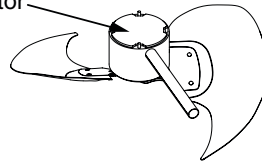


Corner Post

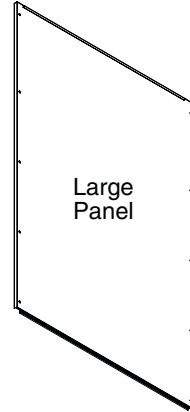
Outdoor Fan Grille



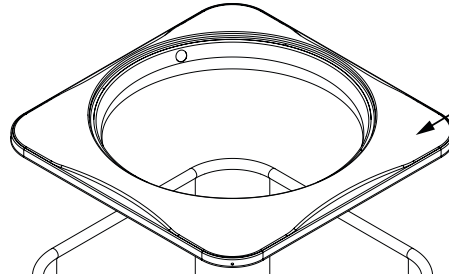
Outdoor Fan Motor



Large Panel



Large Panel

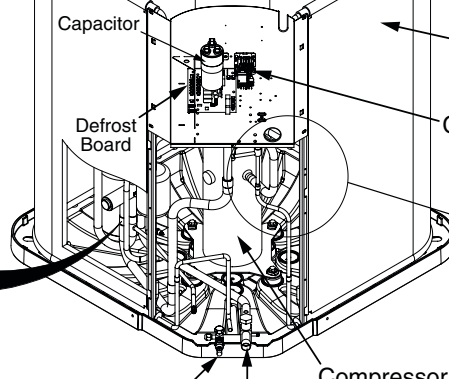
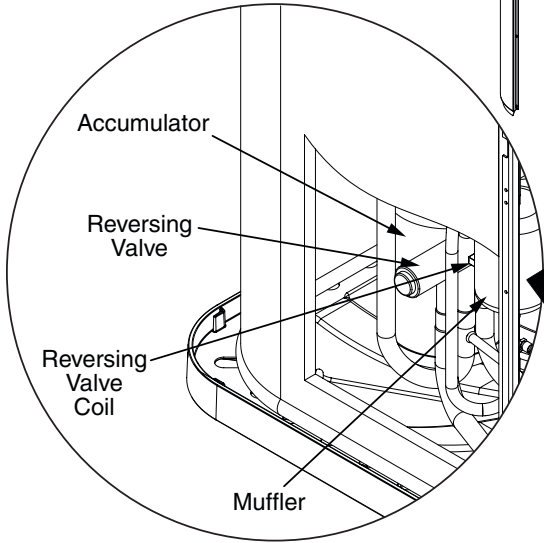


Top Pan

Corner Post



Corner Post



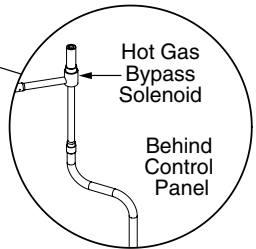
Capacitor

Defrost Board

Outdoor Coil

Contactor

Compressor

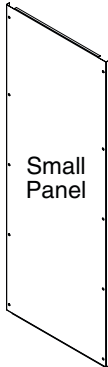


Hot Gas Bypass Solenoid

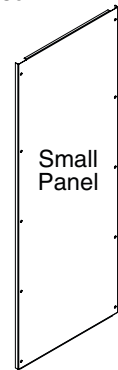
Behind Control Panel

Refrigerant Valve (SM)

Refrigerant Valve (LG)



Small Panel



Small Panel

Left Back Post

Right Back Post



CSH1BE4M1SP SPLIT SYSTEM HEAT PUMP WITH MICROCHANNEL

COMPONENT	CSH1BE4M1SP18K	CSH1BE4M1SP24K	CSH1BE4M1SP30K	CSH1BE4M1SP36K	CSH1BE4M1SP42K	CSH1BE4M1SP48K	CSH1BE4M1SP60K
	1014240C	1014241C	1014242C	1014243C	1014244C	1014245C	1014246C
ACCUMULATOR	668853R	668853R	668853R	668794R	668854R	668854R	668854R
AMBIENT SENSOR	624780R	624780R	624780R	624780R	624780R	624780R	624780R
CAPACITOR	01-0082	01-0083	01-0084	01-0085	01-0273	01-0271	01-0279
COMPRESSOR	922114	921422	921424	921426	921463	921465	921468
COMPRESSOR MOLDED PLUG	634660R	634660R	634660R	634660R	634660R	634660R	634660R
CONTACTOR	624826R	624826R	624826R	624826R	624827R	624827R	624828R
CORNER POST	101472303BR	101472303BR	101472305BR	101472306BR	101472306BR	101472306BR	101472306BR
CRANKCASE HEATER	632410R	632410R	632410R	632410R	632410R	632410R	632410R
DEFROST BOARD	1016567R	1016567R	1016567R	1016567R	1016567R	1016567R	1016567R
DEFROST SENSOR	624812R	624812R	624812R	624812R	624812R	624812R	624812R
FILTER DRIER	669762R	669762R	669762R	669762R	669761R	669761R	669761R
HIGH PRESSURE SWITCH	632473R	632473R	632473R	632473R	632473R	632473R	632473R
HOT GAS BYPASS COIL	669992R	669992R	669992R	669992R	669992R	669992R	669992R
HOT GAS BYPASS VALVE	669964R	669964R	669964R	669965R	669965R	669965R	669965R
LARGE PANELS	101074203BR	101074203BR	101074205BR	101074206BR	101074206BR	101074206BR	101074206BR
LEFT BACK POST	101450403BR	101450403BR	101450405BR	101450406BR	101450406BR	101450406BR	101450406BR
MUFFLER	669546R	669546R	669546R	669546R	669546R	669546R	669546R
OUTDOOR COIL	664905R	664905R	664906R	664907R	664908R	664908R	664860R
OUTDOOR FAN BLADE	667319R	667319R	667319R	667319R	667319R	667319R	667319R
OUTDOOR FAN GRILLE	669591R	669591R	669591R	669591R	669591R	669591R	669591R
OUTDOOR FAN MOTOR	622171R	622171R	622171R	622080R	621990R	621990R	621990R
RIGHT BACK POST	101450303BR	101450303BR	101450305BR	101450306BR	101450306BR	101450306BR	101450306BR
SMALL PANELS	101074403BR	101074403BR	101074405BR	101074406BR	101074406BR	101074406BR	101074406BR
REFRIGERANT VALVE (LG)	663864R	663864R	663864R	663865R	663865R	663865R	663865R
REFRIGERANT VALVE (SM)	664850R	664850R	664850R	664850R	664850R	664850R	664850R
REVERSING VALVE	669465R	669465R	669465R	M0079102	M0079102	M0079102	M0079102
REVERSING VALVE COIL	669470R	669470R	669470R	669937R	669937R	669937R	669937R
SWIVEL NUT CONNECTOR	664194R	664194R	664194R	664194R	664194R	664194R	664194R
TOP PAN	101472101BR	101472101BR	101472101BR	101472101BR	101472101BR	101472101BR	101472101BR

Please specify the correct Model No., Serial No., and part number(s) when ordering parts from the nearest authorized dealer or service center.

