

REPLACEMENT PARTS LIST

K & F Series Single Stage Condensing & Non-Condensing Furnaces

NON-CONDENSING GAS FURNACES 80+ AFUE



***G7SA-1 Upflow / Horizontal
 Furnace**



***G7SK-1 Downflow
 Furnace**

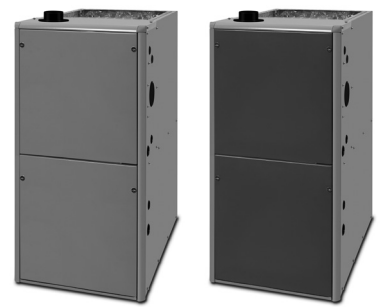
CONDENSING GAS FURNACES 92.1% THROUGH 95.0% AFUE



***G7SC-1 Upflow / Horizontal
 Furnace**



***G7SL-1 Downflow
 Furnace**



***G7SD-1 / G7SD-E
 Upflow / Horizontal Furnace**



***G7SM-1 Downflow
 Furnace**

80% + AFUE

*G7SA-1 Upflow / Horizontal - Replacement Parts List.....	2
*G7SA-1 Upflow / Horizontal - Component Location	3
*G7SK-1 Downflow - Replacement Parts List.....	4
*G7SK-1 Downflow - Component Location	5

92.1% THROUGH 95.0% AFUE

*G7SC-1 Upflow / Horizontal - Replacement Parts List.....	6
*G7SC-1 Upflow / Horizontal - Component Location	7
*G7SD-1 Upflow / Horizontal - Replacement Parts List.....	8
*G7SD-1 Upflow / Horizontal - Component Location	9
*G7SL-1 Downflow - Replacement Parts List	10
*G7SM-1 Downflow - Replacement Parts List.....	11
*G7SL-1 & *G7SM-1 Downflow - Component Location	12

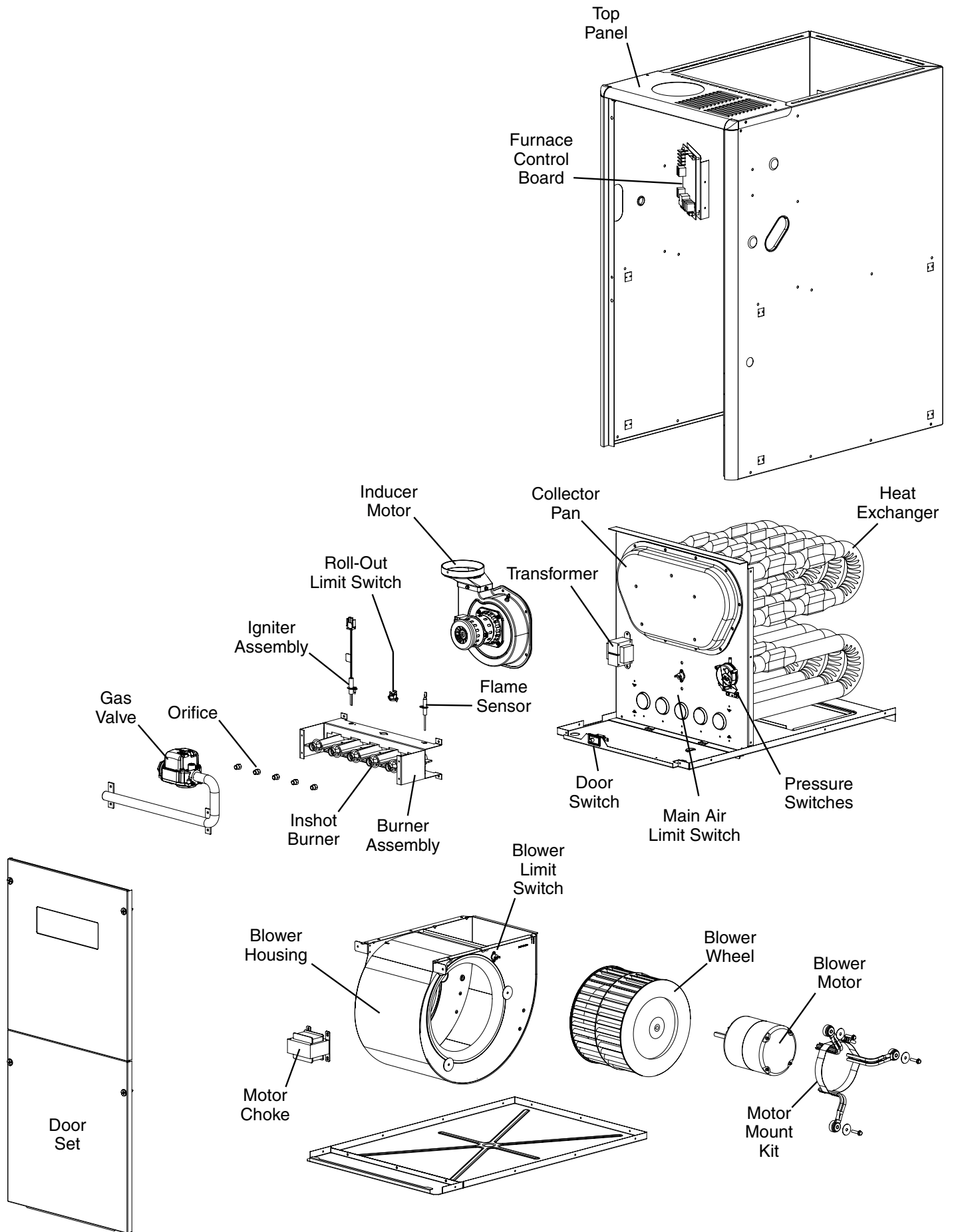
*Model description may be prefixed with an alphanumeric character

DESCRIPTION	045C-T23A1	054C-T23A1	072C-T24B1	072C-T35C1	090C-T24B1	090C-T35C1	108C-T35C1	126C-T45D1
Blower Housing	297200R	297200R	297207R	297204R	—	297204R	—	—
Blower Housing (with Wheel)	—	—	—	—	1027001R	—	1027002R	1027002R
Blower Limit Switch	626611R	626611R	626611R	626611R	626611R	626611R	626611R	626611R
Blower Motor	104876701R	104876702R	104876703R	104876705R	104876704R	104876706R	104876707R	104876708R
Blower Wheel	667251R	667251R	667258R	667207R	—	667207R	—	—
Burner Assembly	904819	904820	904822	1032104R	904824	1028648R	904826	904828
Burner Tube Manifold	664228R	664228R	664229R	664230R	664230R	664230R	664231R	664232R
Collector Pan (w Gasket)	1032145	1030014	1030015	1032146	1030016	905016	1030017	1032178
Control Board (Nordyne/UTEC)	1021573R	1021573R	1021573R	1021573R	1021573R	1021573R	1021573R	1021573R
Control Board (Emerson) NOTE: For units manufactured after 7/4/2022	1041648R	1041648R	1041648R	1041648R	1041648R	1041648R	1041648R	1041648R
Door Set	904767	904767	904768	904769	904768	904769	904769	904770
Door Switch	632693R	632693R	632693R	632693R	632693R	632693R	632693R	632693R
Flame Sensor	632484R	632484R	632484R	632484R	632484R	632484R	632484R	632484R
Fuse	632261R	632261R	632261R	632261R	632261R	632261R	632261R	632261R
Gas Valve	624775R	624775R	624775R	624775R	624775R	624775R	624775R	624775R
Heat Exchanger	1033138R	904779	904780	904783	904781	904783	904868	904785
High Temperature Hose (Not Shown)	299152R	299152R	299152R	299153R	299152R	299153R	299153R	299154R
Ignitor Assembly (Nitride)	1017743S	1017743S	1017743S	1017743S	1017743S	1017743S	1017743S	1017743S
Inducer Gasket (Not Shown)	689988R	689988R	689988R	689988R	689988R	689988R	689988R	689988R
Inducer Motor	904999	904999	904999	904999	904999	904999	904999	904999
Inshot Burner	661134R	661134R	661134R	661134R	661134R	661134R	661134R	661134R
Main Air Limit Switch	1033136R	626617R	626614R	626615R	626616R	626616R	626616R	626613R
Motor Choke	—	—	622340R	622340R	622340R	622340R	622340R	622340R
Motor Mount Kit	904980	904980	904951	904980	904907	904980	904951	904951
Orifice (Natural Gas)	661049R	661047R	661047R	661049R	661047R	661083R	661047R	661047R
Pressure Switch	632489R	632489R	632488R	632520R	632520R	632520R	632520R	1029935R
Roll-Out Limit Switch	626610R	626610R	626610R	626610R	626610R	626610R	626610R	626610R
Set of Wires (Not Shown) (Nordyne/UTEC)	1027173R	1027173R	1028467R	1027174R	1028467R	1027174R	1027174R	1027174R
Set of Wires (Not Shown) (Emerson) For units manufac- tured after 7/4/2022	1040680R	1040680R	1040681R	1040679R	1040681R	1040679R	1040679R	1040679R
Top Panel	295911R	295911R	295912R	295913R	295912R	295913R	295913R	—
Transformer	622341R	622341R	622341R	622341R	622341R	622341R	622341R	622341R

Please specify the correct Model No., Serial No, and part number(s) when ordering parts from the nearest authorized dealer or service center.

FOR COMPONENT LOCATIONS, SEE PAGE 3.

*G7SA-1 UPFLOW / HORIZONTAL - COMPONENT LOCATION



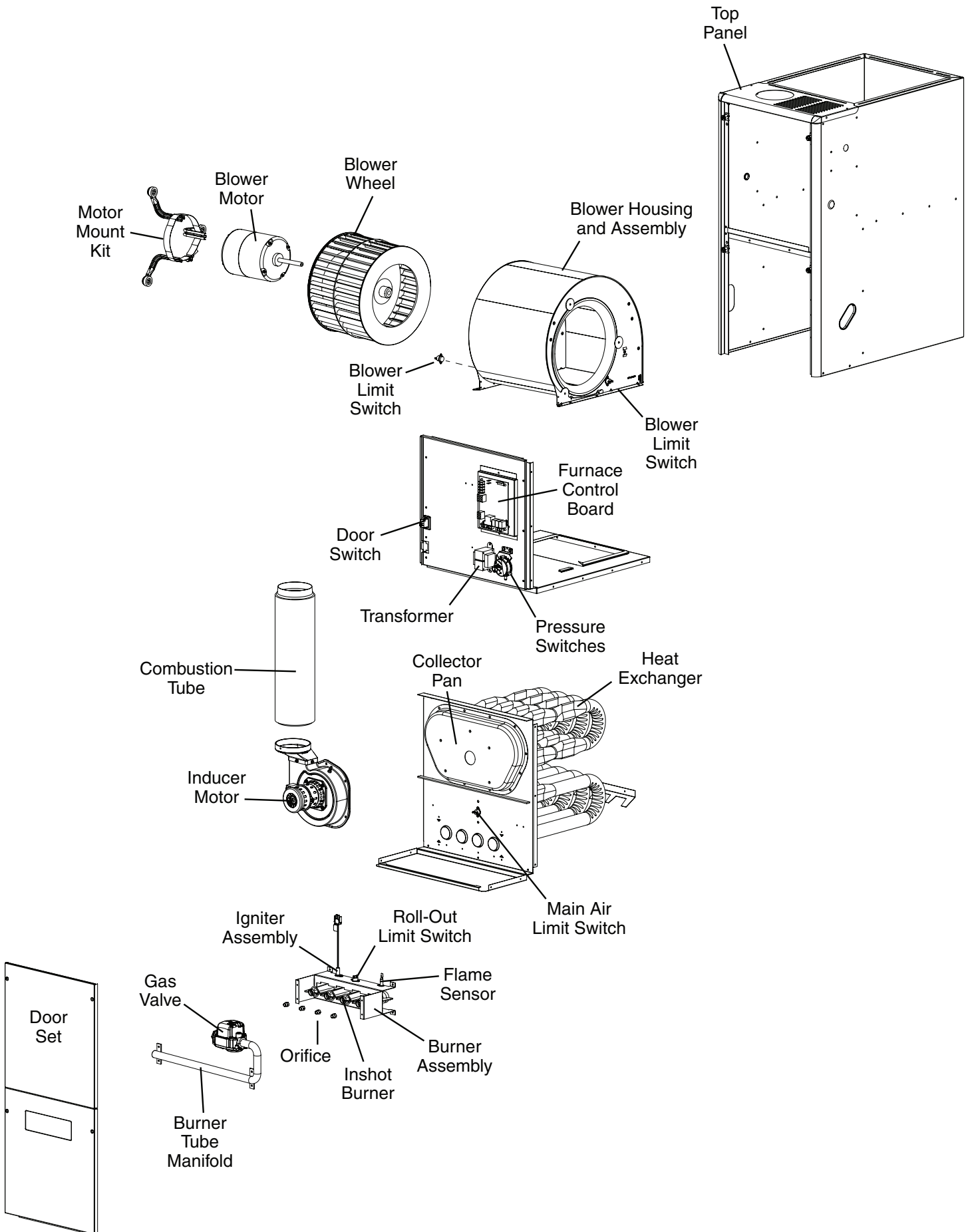
***G7SK-1 DOWNFLOW - REPLACEMENT PARTS LIST**

DESCRIPTION	054C-T23A1	072C-T24B1	090C-T24B1	108C-T35C1	126C-T45D1
Blower Housing	297200R	297207R	297207R	297209R	—
Blower Housing (with Wheel)	—	—	—	—	1027002R
Blower Limit Switch	626611R	626611R	626611R	626611R	626611R
Blower Motor	104876801R	104876802R	104876803R	104876804R	104876805R
Blower Wheel	667251R	667258R	667258R	1017727R	—
Burner Assembly	904820	1032104R	904824	904826	904828
Burner Tube Manifold	664228R	664230R	664230R	664231R	664232R
Collector Pan (w Gasket)	1030014	1032135	904806	1033014	1033015
Combustion Tube	299291R	299291R	299291R	299291R	299291R
Control Board (Nordyne/UTEC)	1021573R	1021573R	1021573R	1021573R	1021573R
Control Board (Emerson) NOTE: For units manufactured after 7/4/2022	1041648R	1041648R	1041648R	1041648R	1041648R
Door Set	904767	904768	904768	904769	904770
Door Switch	632693R	632693R	632693R	632693R	632693R
Flame Sensor	632484R	632484R	632484R	632484R	632484R
Fuse	632261R	632261R	632261R	632261R	632261R
Gas Valve	624775R	624775R	624775R	624775R	624775R
Heat Exchanger	904779	904781	904781	904868	904785
High Temperature Hose (Not Shown)	263967R	263967R	263967R	263967R	263967R
Ignitor Assembly (Nitride)	1017743S	1017743S	1017743S	1017743S	1017743S
Inducer Gasket (Not Shown)	689988R	689988R	689988R	689988R	689988R
Inducer Motor	904999	904999	904999	904999	904999
Inshot Burner	661134R	661134R	661134R	661134R	661134R
Main Air Limit Switch	626601R	626615R	626617R	626601R	626617R
Motor Choke	—	622340R	622340R	622340R	622340R
Motor Mount Kit	904980	904951	904951	904907	904951
Orifice (Natural Gas)	661047R	661049R	661047R	661047R	661047R
Pressure Switch	632488R	632520R	632489R	1032275R	1029935R
Roll-Out Limit Switch	626610R	626610R	626610R	626609R	626609R
Set of Wires (Not Shown) (Nordyne/UTEC)	1027175R	1027176R	1027176R	1027177R	1027177R
Set of Wires (Not Shown) (Emerson) For units manufactured after 7/4/2022	1040678R	1040678R	1040678R	1040677R	1040677R
Top Panel	295911R	295912R	295912R	295913R	—
Transformer	622341R	622341R	622341R	622341R	622341R

Please specify the correct Model No., Serial No, and part number(s) when ordering parts from the nearest authorized dealer or service center.

FOR COMPONENT LOCATIONS, SEE PAGE 5.

*G7SK-1 DOWNFLOW - COMPONENT LOCATION



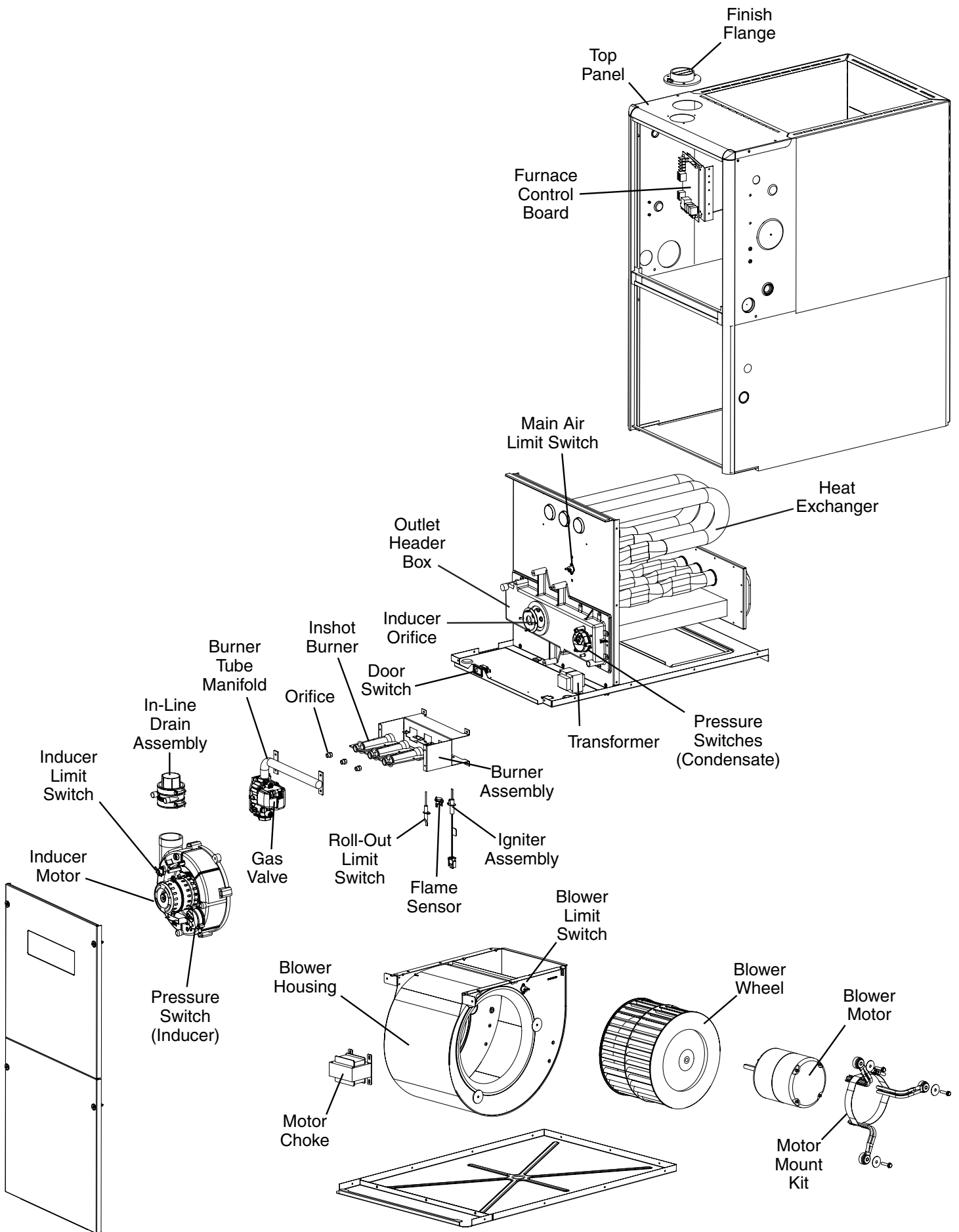
92.1% AFUE***G7SC-1 UPFLOW / HORIZONTAL - REPLACEMENT PARTS LIST**

DESCRIPTION	038D-T23A1	054D-T24B1	072D-T24B1	072D-T35C1	090D-T35C1	108D-T45D1	120D-T45D1
Blower Housing	297200R	297207R	297207R	—	—	—	—
Blower Housing (with Wheel)	—	—	—	1027002R	1027002R	1027002R	1027002R
Blower Limit Switch	626611R	626611R	626611R	626611R	626611R	626611R	626611R
Blower Motor	104876901R	104876902R	104876903R	104876904R	104876905R	104876906R	104876907R
Blower Wheel	667251R	667258R	667258R	—	—	—	—
Burner Assembly	904818	904821	904823	904823	904825	904827	904997
Burner Tube Manifold	664237R	664238R	664239R	664239R	664240R	664241R	664241R
Control Board (Nordyne/UTEC)	102573R	1021573R	1021573R	1021573R	1021573R	1021573R	1021573R
Control Board (Emerson) NOTE: For units manufactured after 7/4/2022	—	1041648R	1041648R	1041648R	1041648R	1041648R	1041648R
Door Set	904767	904768	904768	904769	904769	904770	904770
Door Switch	632693R	632693R	632693R	632693R	632693R	632693R	632693R
Drain Tube (Hard, "J") (Not Shown)	663706R	663706R	663706R	663706R	663706R	663706R	663706R
Drain Tube (Soft, "J" 30") (Not Shown)	663707R	663707R	663707R	663707R	663707R	663707R	663707R
Finish Flange	664633R	664633R	664633R	664633R	664633R	664633R	664633R
Flame Sensor	632484R	632484R	632484R	632484R	632484R	632484R	632484R
Fuse	632261R	632261R	632261R	632261R	632261R	632261R	632261R
Gas Valve	624775R	624775R	624775R	624775R	624775R	624775R	624775R
Heat Exchanger	904786	904869	904788	904870	904871	904791	904791
High Temperature Hose (Not Shown)	263967R	263967R	263967R	263967R	263967R	263967R	263967R
Ignitor Assembly (Nitride)	1017743S	1017743S	1017743S	1017743S	1017743S	1017743S	1017743S
Inducer Limit Switch	626599R	626599R	626599R	626599R	626599R	626599R	626599R
Inducer Motor	1003441	1003441	1003441	1003441	1003441	1003441	1003441
Inducer Orifice	669749R	669712R	669713R	669715R	669717R	Not Used	Not Used
In-Line Drain Assembly	664435R	664435R	664435R	664435R	664435R	664435R	664435R
Inshot Burner	661134R	661134R	661134R	661134R	661134R	661134R	661134R
Main Air Limit Switch	626598R	626614R	626613R	1021533R	626613R	626614R	626614R
Motor Choke	—	622340R	622340R	622340R	622340R	622340R	622340R
Motor Mount Kit	904980	904951	904951	904951	904907	904951	904951
Orifice (Natural Gas)	661045R	661047R	661047R	661047R	661047R	661047R	661045R
Outlet Header Box	904801	904802	904802	904803	904803	904804	904804
Pressure Switch (Condensate)	1010439R	632491R	632622R	632491R	632622R	632491R	632491R
Pressure Switch (Inducer)		632495R	632495R	632493R	632493R	632493R	632493R
Pressure Switch (Condensate) NOTE: For units manufactured after 10/23/2022	1043339R	—	—	—	—	—	—
Pressure Switch (Inducer) NOTE: For units manufactured after 10/23/2022		—	—	—	—	—	—
Roll-Out Limit Switch	626608R	626608R	626609R	626609R	626609R	626609R	626608R
Set of Wires (Not Shown) (Nordyne/UTEC)	1027178R	1027179R	1027179R	1027180R	1027180R	1027180R	1027180R
Set of Wires (Not Shown) (Emerson) For units manufactured after 7/4/2022	1027178R	1040684R	1040684R	1040683R	1040683R	1040683R	1040683R
Top Panel	2B3551R	2B3552R	2B3552R	2B3553R	2B3553R	2B3554R	2B3554R
Transformer	622341R	622341R	622341R	622341R	622341R	622341R	622341R
Tube (Soft, 6.5") (Not Shown)	663727R	663727R	663727R	663727R	663727R	663727R	663727R

Please specify the correct Model No., Serial No, and part number(s) when ordering parts from the nearest authorized dealer or service center.

FOR COMPONENT LOCATIONS, SEE PAGE 7.

*G7SC-1 UPFLOW / HORIZONTAL - COMPONENT LOCATION



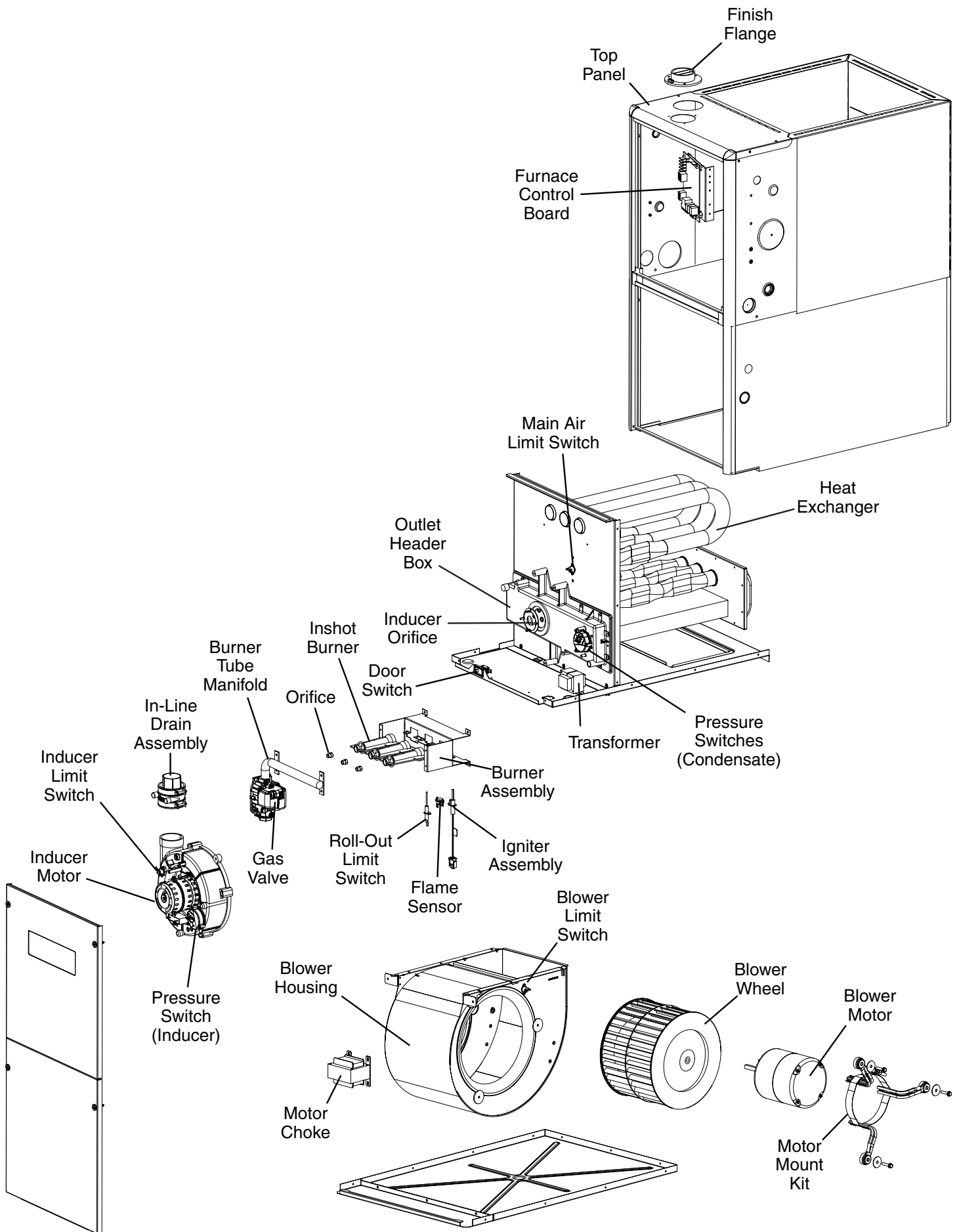
95.0% AFUE***G7SD-1 UPFLOW / HORIZONTAL - REPLACEMENT PARTS LIST**

DESCRIPTION	038D-T24B1	054D-T24B1	072D-T35C1	090D-T35C1	108D-T45D1	120D-T45D1
Blower Housing	297207R	297207R	297204R	—	—	—
Blower Housing (with Wheel)	—	—	—	1027002R	1027002R	1027002R
Blower Limit Switch	626611R	626611R	626611R	626611R	626611R	626611R
Blower Motor	104877001R	104877002R	104877003R	104877004R	104877005R	104877006R
Blower Wheel	667374R	667258R	667207R	—	—	—
Burner Assembly	905020	905021	905022	1032226R	905024	1032818R
Burner Tube Manifold	664473R	664473R	664243R	664244R	664245	664245
Control Board (Nordyne/UTEC)	1021573R	1021573R	1021573R	1021573R	1021573R	1021573R
Control Board (Emerson) NOTE: For units manufactured after 7/4/2022	1041648R	1041648R	1041648R	1041648R	1041648R	1041648R
Door Set	904768	904768	904769	904769	904770	904770
Door Switch	632693R	632693R	632693R	632693R	632693R	632693R
Drain Tube (Hard, "J") (Not Shown)	663706R	663706R	663706R	663706R	663706R	663706R
Drain Tube (Soft, "J" 30") (Not Shown)	663707R	663707R	663707R	663707R	663707R	663707R
Finish Flange	664633R	664633R	664633R	664633R	664633R	664633R
Flame Sensor	632484R	632484R	632484R	632484R	632484R	632484R
Fuse	632261R	632261R	632261R	632261R	632261R	632261R
Gas Valve	624775R	624775R	624775R	624775R	624775R	624775R
Heat Exchanger	904792	904792	904793	904794	904795	904795
High Temperature Hose (Not Shown)	263967R	263967R	263967R	263967R	263967R	263967R
Ignitor Assembly (Nitride)	1017743S	1017743S	1017743S	1017743S	1017743S	1017743S
Inducer Limit Switch	626599R	626599R	626599R	626599R	626599R	626599R
Inducer Motor	1003441	1003441	1003441	1003441	1003441	1003441
Inducer Orifice	669927R	669718R	669719R	669720R	669715R	669716R
In-Line Drain Assembly	664435R	664435R	664435R	664435R	664435R	664435R
Inshot Burner	661128R	661128R	661128R	661128R	661128R	661128R
Main Air Limit Switch	626470R	626598R	626614R	626470R	626612R	1018472R
Motor Choke	622340R	622340R	622340R	622340R	622340R	622340R
Motor Mount Kit	904980	904951	904980	904951	904951	904951
Orifice (Natural Gas)	661051R	661047R	661047R	661048R	661047R	661046R
Outlet Header Box	904802	904802	904803	904803	904804	904804
Pressure Switch (Condensate)	632674R	632493R	632493R	632624R	632487R	1033248R
Pressure Switch (Inducer)	632673R	632487R	632487R	632487R	632675R	1018532R
Roll-Out Limit Switch	1017988R	626610R	626610R	626610R	626610R	626610R
Set of Wires (Not Shown) (Nordyne/UTEC)	1027179R	1027179R	1027180R	1027180R	1027180R	1027180R
Set of Wires (Not Shown) (Emerson) For units manufactured after 7/4/2022	1040684R	1040684R	1040683R	1040683R	1040683R	1040683R
Top Panel	2A9512R	2A9512R	2A5913R	2A5913R	2A9514R	2A9514R
Transformer	622341R	622341R	622341R	622341R	622341R	622341R
Tube (Soft, 6.5") (Not Shown)	663727R	663727R	663727R	663727R	663727R	663727R

Please specify the correct Model No., Serial No, and part number(s) when ordering parts from the nearest authorized dealer or service center.

[FOR COMPONENT LOCATIONS, SEE PAGE 9.](#)

*G7SD-1 UPFLOW / HORIZONTAL - COMPONENT LOCATION



92.1% AFUE***G7SL-1 DOWNFLOW - REPLACEMENT PARTS LIST**

DESCRIPTION	072D-T24B1
Blower Housing	297207R
Blower Housing (with Wheel)	—
Blower Limit Switch	626611R
Blower Motor	1029873R
Blower Wheel	667258R
Burner Assembly	904823
Burner Tube Manifold	664239R
Control Board	1021573R
Door Set	904768
Door Switch	632693R
Drain Tube (Hard, "J") (Not Shown)	664426R
Drain Tube (Soft, "J" 30") (Not Shown)	663707R
Finish Flange	664633R
Flame Sensor	632484R
Fuse	632261R
Gas Valve	624775R
Heat Exchanger	904788
High Temperature Hose (Not Shown)	299154R
Ignitor Assembly (Nitride)	1017743S
Inducer Limit	626599R
Inducer Motor	1003441
Inducer Orifice	669713R
In-Line Drain Assembly	664435R
Inshot Burner	661134R
Main Air Limit Switch	626601R
Motor Choke	622340R
Motor Mount Kit	904951
Orifice (Natural Gas)	661047R
Outlet Header Box	904802
Pressure Switch (inducer)	632487R
Roll-Out Limit Switch	626610R
Set of Wires (Not Shown)	1027181R
Top Panel	2B3562R
Transformer	622341R
Tube (Soft, 6.5") (Not Shown)	663727R

Please specify the correct Model No., Serial No, and part number(s) when ordering parts from the nearest authorized dealer or service center.

FOR COMPONENT LOCATIONS, SEE PAGE 12.

95.0% AFUE***G7SM-1 DOWNFLOW - REPLACEMENT PARTS LIST**

DESCRIPTION	054D-T24B1	072D-T35C1
Blower Housing	297207R	—
Blower Housing (with Wheel)	—	297209R
Blower Limit Switch	626611R	626611R
Blower Motor	1029889R	1029890R
Blower Wheel	667374R	—
Burner Assembly	905026	905022
Burner Tube Manifold	664611R	664243R
Control Board	1021573R	1021573R
Door Set	904768	904769
Door Switch	632693R	632693R
Drain Tube (Hard, "J") (Not Shown)	664426R	664426R
Drain Tube (Soft, "J" 30") (Not Shown)	663707R	663707R
Finish Flange	664633R	664633R
Flame Sensor	632484R	632484R
Fuse	632261R	632261R
Gas Valve	624775R	624775R
Heat Exchanger	904792	904793
High Temperature Hose (Not Shown)	299155R	299155R
Ignitor Assembly (Nitride)	1017743S	1017743S
Inducer Limit Switch	626599R	626599R
Inducer Motor	1003441	1003441
Inducer Orifice	669749R	669719R
In-Line Drain Assembly	664435R	664435R
Inshot Burner	661128R	661128R
Main Air Limit Switch	626601R	626617R
Motor Choke	622340R	622340R
Motor Mount Kit	904951	904951
Orifice (Natural Gas)	661047R	661047R
Outlet Header Box	904802	904803
Pressure Switch (inducer)	632675R	632487R
Roll-Out Limit Switch	626610R	626610R
Set of Wires (Not Shown)	1027181R	1027182R
Top Panel	2B3562R	2B3563R
Transformer	622341R	622341R
Tube (Soft, 6.5") (Not Shown)	663727R	663727R

Please specify the correct Model No., Serial No, and part number(s) when ordering parts from the nearest authorized dealer or service center.

FOR COMPONENT LOCATIONS, SEE PAGE 12.

*G7SL-1 & *G7SM-1 DOWNFLOW - COMPONENT LOCATION

