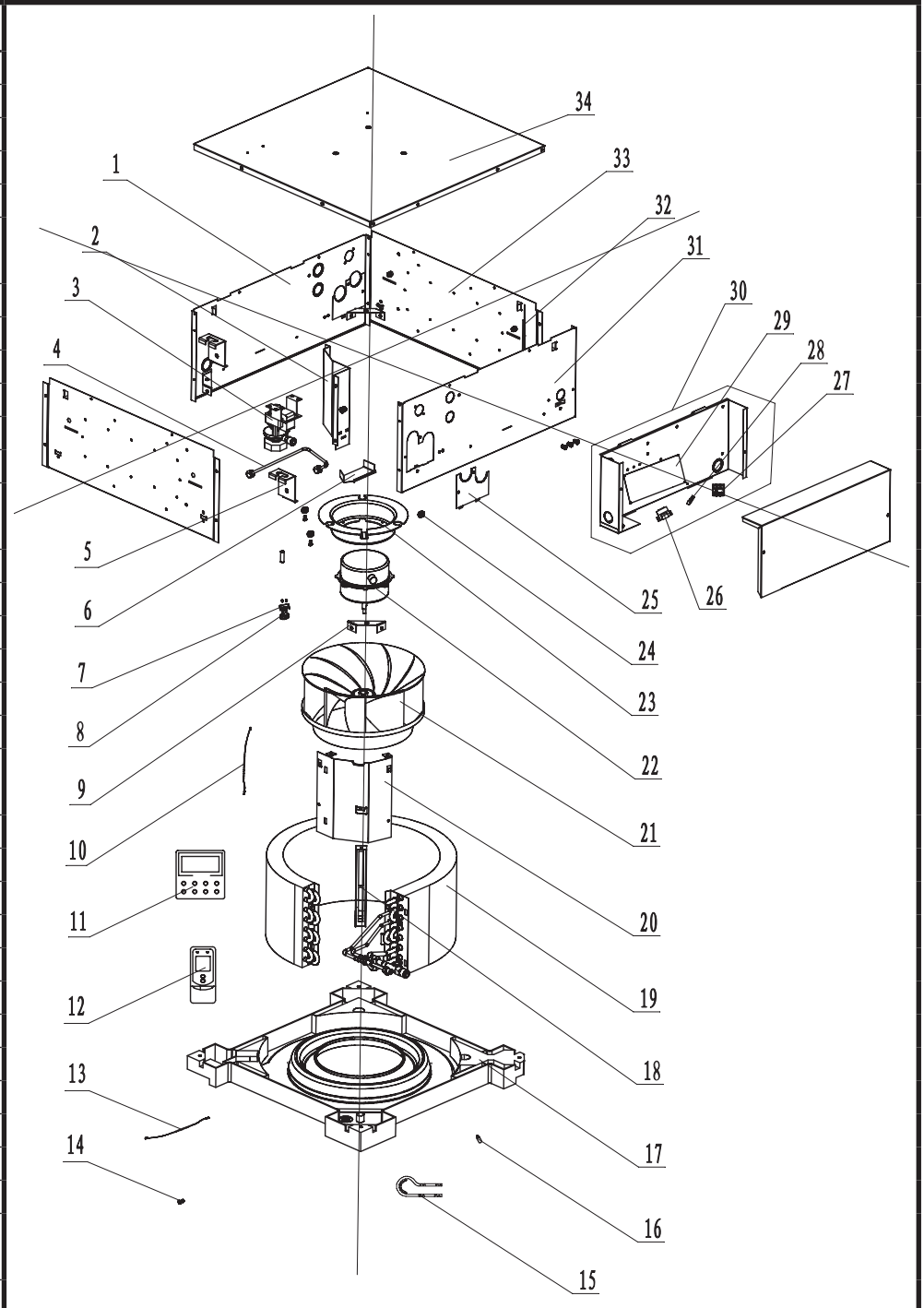


# REPLACEMENT PARTS LIST

FLEX MATCH SYSTEM  
CASSETTE TYPE INDOOR UNIT  
GKH18(5.3)FMK4DH

ITEM #	COMPONENT
1	FRONT SIDE PLATE
2	RIGHT BAFFLE ASSY
3	WATER PUMP
4	PUMP DRAINPIPE
5	BODY INSTALLING SUPPORT
6	LIQUID LEVEL SWITCH SUPPORT
7	PUMP SUPPORT ASSY
8	WATER LEVEL SWITCH
9	WATER TRAY SUPPORT
10	TEMPERATURE SENSOR
11	DISPLAY BOARD
12	REMOTE CONTROLLER
13	AMBIENT TEMPERATURE SENSOR
14	FILTER SUB-ASSY
15	WIRE CLAMP(BIG)
16	FILTER SUB-ASSY
17	WATER TRAY ASSY
18	EVAPORATOR SUPPORT
19	EVAPORATOR ASSY
20	EVAPORATOR CONNECTION BOARD
21	CENTRIFUGAL FAN
22	FAN MOTOR
23	MOTOR SUPPORT
24	MOTOR GASKET
25	TUBE EXIT PLATE ASSY
26	TRANSFORMER
27	TERMINAL BOARD
28	CAPACITOR CBB61
29	MAIN BOARD
30	ELECTRIC BOX ASSY
31	FRONT SIDE PLATE
32	PASS WIREPLATE
33	RIGHT SIDE PLATE SUB-ASSY
34	SEAT BOARD SUB-ASSY



## GKH18(5.3)FMK4DH

	PART DESCRIPTION	PART CODE	NORTEK PART NUMBER
1	Front Side Plate	01314211	1044843
2	Right Baffle Assy	01362704	1044853
3	Water Pump	43130320	1003124
4	Pump Drainpipe	05232722	1017070
5	Body Installing Support	01332705	1044327
6	Liquid Level Switch Support	24212705	1003132
7	Pump Support Assy	01332708	1044852
8	Water Level Switch	450127011	1003131
9	Water Tray Support	01332706	1044851
10	Temperature Sensor	390001982G	1008315
11	Display Board (Wired Controller)	300001060284	1028712
12	Remote Controller	305100491	1007703
13	Ambient Temperature Sensor	3900019813	1008314
14	Filter Sub-Assy	NONE	
15	Wire Clamp (Big)	71010252	1044850
16	Filter Sub-Assy (Refrigerant Filter)	11120012	1044935
17	Water Tray Assy (Drain Pan)	20182704	1044849
18	Evaporator Support	01072714	1044848
19	Evaporator Assy	0102430701	1032323
20	Evaporator Connection Board	01072713	1044847
21	Centrifugal Fan (Blower Wheel)	10312702	1003118
22	Fan Motor (Blower Motor)	1570411401	1008310
23	Motor Support	01702702	1044846
24	Motor Gasket	76712705	1044845
25	Tube Exit Plate Assy	01382719	1044844
26	Transformer	43110257	1032745
27	Terminal Block	420111041	1032562
28	Capacitor CBB61	33010089	1044886
29	Main Board	30226354	1008312
30	Electric Box Assy	01399536	1032752
31	Front Side Plate	01302741	1044854
32	Pass WirePlate	01362701	1044842
33	Right Side Plate Sub-Assy	01302743	1044841
34	Seat Board Sub-Assy	01222712	1044840
	Wireless Remote WLRC3 (Not Shown)	305100491-L46037	1007703
	Face Frame Panel TA03 (Grille) (Not Shown)	TA03	1013787

