

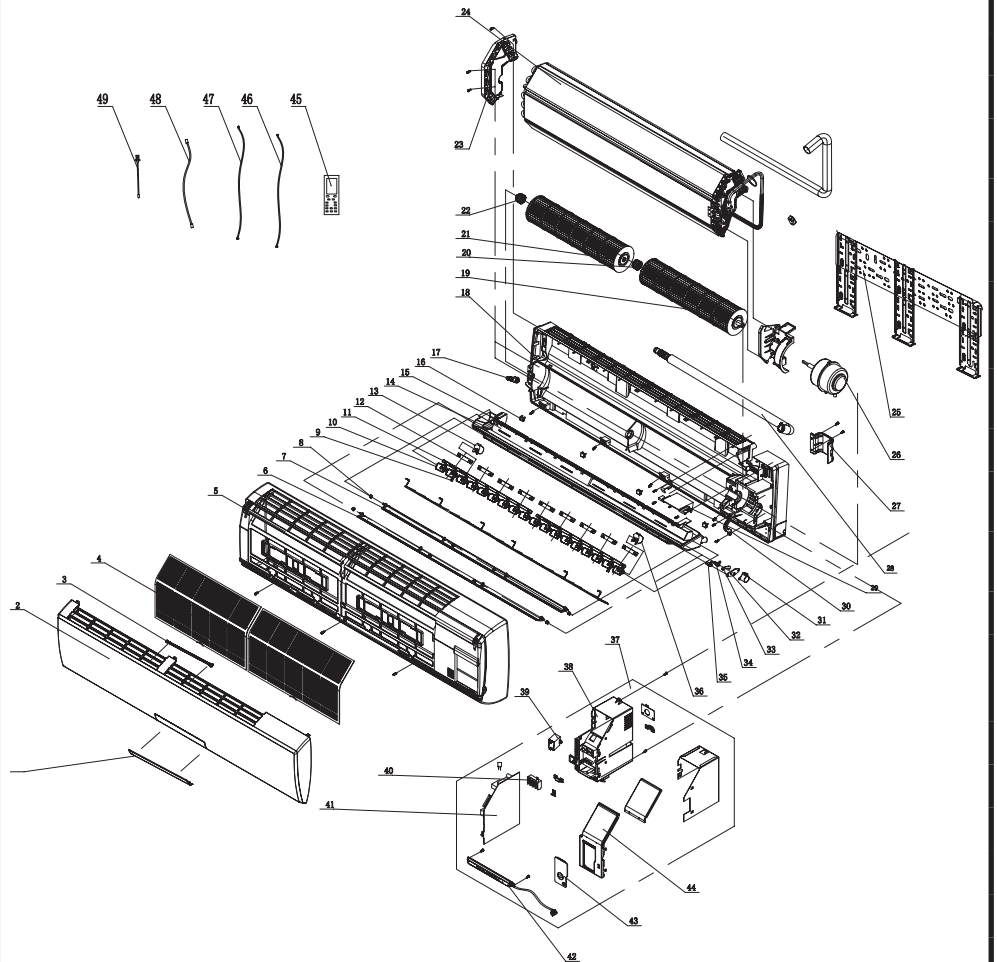
REPLACEMENT PARTS LIST

25 SEER2 SINGLE ZONE, LUK4DH2

HIGH WALL INDOOR UNIT

GHH36(10.6)LUK4DH2

ITEM #	COMPONENT	ITEM #	COMPONENT	ITEM #	COMPONENT
1	RECEIVER WINDOW	35	LOWER CRANK	45	REMOTE CONTROLLER YAY1FF
2	FRONT PANEL	36	STEP MOTOR	46	CONNECTING CABLE
3	STAND BAR	37	ELECTRIC BOX ASSY	47	CONNECTING CABLE
4	FILTER SUB ASSY	38	ELECTRIC BOX	48	TUBE SENSOR
5	FRONT CASE SUB ASSY	39	CAPACITOR CBB61	49	AMBIENT TEMPERATURE SENSOR
6	UPPER GUIDE LOUVER	40	TERMINAL BOARD	50	MOTOR FIXED CLIP 2
7	LOWER GUIDE LOUVER	41	MAIN BOARD	51	RIGHT SUPPORT OF EVAPORATOR
8	AXILE BUSH	42	DISPLAY BOARD	52	JUMPER
9	AIR LOUVER 2	43	ELECTRIC BOX COVER		
10	AIR LOUVER 1	44	ELECTRIC BOX COVER		
11	CONNECTING ROD				
12	LOUVER CLAMP				
13	STEP MOTOR				
14	WATER TRAY				
15	AIR GUIDE SYSTEM IN WATER TRAY ASSY				
16	SCREW COVER				
17	RUBBER PLUG (WATER TRAY)				
18	REAR CASE SUB ASSY				
19	CROSS FLOW FAN 2				
20	BEARING HOLDER SUB ASSY				
21	CROSS FLOW FAN 1				
22	O-GASKET SUB ASSY OF BEARING				
23	LEFT EVAPORATOR SUPPORT				
24	EVAPORATOR ASSY				
25	WALL MOUNTING FRAME				
26	FAN MOTOR				
27	PIPE CLAMP				
28	DRAINAGE HOSE				
29	COVER PLATE				
30	MOTOR FIXED CLIP 1				
31	STEPPING MOTOR				
32	PRESS PLATE (CRANK)				
33	CRANK GUIDE				
34	UPPER CRANK				



GHH36(10.6)LUK4DH2

	PART DESCRIPTION	PART CODE	NORTEK PART NUMBER
1	Receiver Window	NONE	—
2	Front Panel	20000300022	1045887
3	Stand Bar	2421212001	1025109
4	Filter Sub Assy	1112210602	1003140
5	Front Case Sub Assy	20900700005	1028854
6	Upper Guide Louver	1051216601	1032370
7	Lower Guide Louver	1051216701	1032371
8	Axile Bush	10542704	1028750
9	Air Louver 2	1051216902	1017023
10	Air Louver 1	1051216802	1017022
11	Connecting Rod	10582086	1028797
12	Louver Clamp	NONE	—
13	Step Motor	NONE	—
14	Water Tray	2018213802	1032374
15	Air Guide System in Water Tray Assy	NONE	—
16	Screw Cover	2425200506	1032375
17	Rubber Plug (Water Tray)	76712012	1025142
18	Rear Case Sub Assy	00000100113	1032376
19	Cross Flow Fan 2	10352040	1025065
20	Bearing Holder Sub Assy	26152028	1025064
21	Cross Flow Fan 1	10352039	1025063
22	O-Gasket Sub Assy of Bearing	76512051	1032449
23	Left Evaporator Support	24212041	1028873
24	Evaporator Assy	011001060880	1045372
25	Wall Mounting Frame	01252398	1025067
26	Fan Motor	150104060096	1045346
27	Pipe Clamp	NONE	—
28	Drainage Hose	0523001404	1025068
29	Cover Plate	2012212402	1028801
30	Motor Fixed Clip 1	26112324	1032378
31	Stepping Motor	1521210701	1014021
32	Press Plate (Crank)	26112070	1032379
33	Crank Guide	10582041	1028803
34	Upper Crank	10562004	1032380
35	Lower Crank	10562005	1032387
36	Step Motor	NONE	—
37	Electric Box Assy	100002075452	1045886
38	Electric Box	NONE	—
39	Capacitor CBB61	NONE	—
40	Terminal Board	422000000022	1045729
41	Main Board	300002062589	1045344
42	Display Board	30565277	1008335
43	Electric Box Cover	NONE	—
44	Electric Box Cover	NONE	—
45	Remote Controller YAY1FF	305001060107_Y05896	1041725
46	Connecting Cable	NONE	—
47	Connecting Cable	NONE	—
48	Tube Sensor	390000592	1014001
49	Ambient Temperature Sensor	390000453	1008342
50	Motor Fixed Clip 2	26112325	1045159
51	Right Support of Evaporator	2421204201	1045885
52	Jumper	4202021909	1028868

