

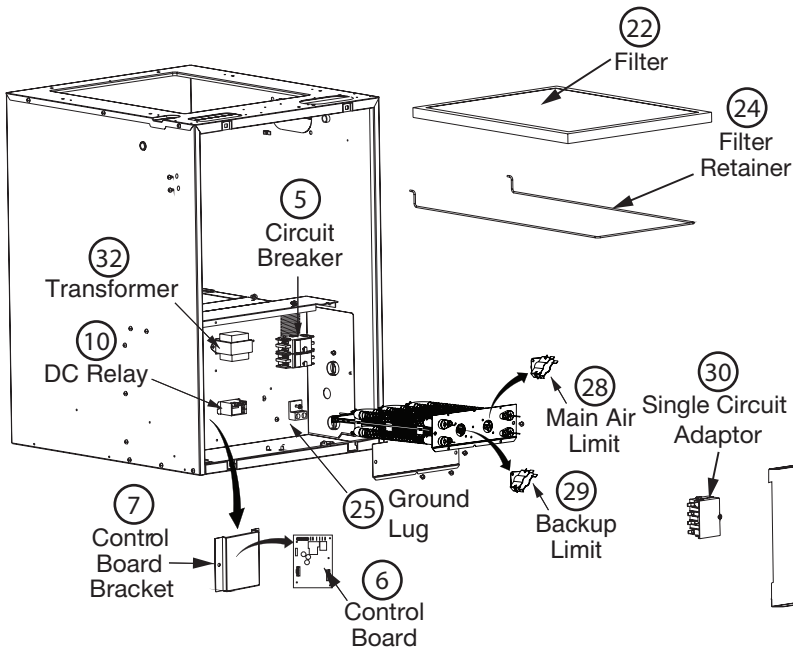
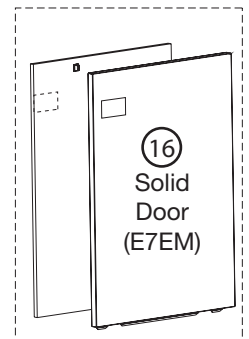
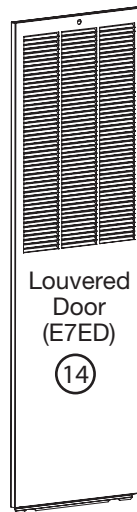
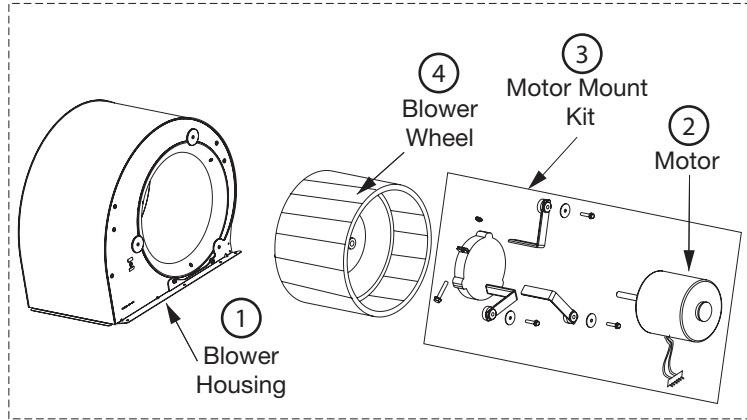


Universal HVAC Parts & Accessories

# REPLACEMENT PARTS LIST

## E7 SERIES ELECTRIC FURNACE MODELS

E7ED, E7EM, E7EU



# E7 ELECTRIC FURNACE REPLACEMENTS PARTS LIST

E7ED, E7EM, & E7EU SERIES ELECTRIC FURNACE MODELS  
010, -012, -015, -017, -020, -023

ITEM	DESCRIPTION	MODEL KW					
		E7E(*)-B010K1	E7E(*)-B012K1	E7E(*)-B015K1	E7E(*)-B017K1	E7E(*)-B020K1	E7E(*)-B023K1
1	Blower Housing	D07482R	D07482R	D07482R	D07482R	D07482R	D07482R
2	Blower Motor	1048474	1048474	1048474	1048474	1048474	1048474
3	Blower Motor Mount Kit	913871	913871	913871	913871	913871	913871
4	Blower Wheel	667037R	667037R	667037R	667037R	667037R	667037R
5	Circuit Breaker	1034963R	1034963R	1034963R	1034963R	1034963R	1034963R
6	Control Board	1006801R	1006801R	1006801R	1006801R	1006801R	1006801R
7	Control Board Bracket	280671R	280671R	280671R	280671R	280671R	280671R
10	DC Relay	1025375R	1025375R	1025375R	1025375R	1025375R	1025375R
11	Door Latch Assembly (For E7ED & E7EU) (Not Shown)	1036349R	1036349R	1036349R	1036349R	1036349R	1036349R
12	Door Latch (For E7EM) (Not Shown)	668420R	668420R	668420R	668420R	668420R	668420R
13	Door Strike (For E7EM) (Not Shown)	1018719	1018719	1018719	1018719	1018719	1018719
14	Door (Louvered – E7ED Models)	104850401R	104850401R	104850401R	104850401R	104850401R	104850401R
15	Door (Solid – E7EU Models)	1036445R	1036445R	1036445R	1036445R	1036445R	1036445R
16	Door (Solid – E7EM Models)	917260	917260	917260	917260	917260	917260
17	Element Assembly (5.0 kW)	–	–	902818*	–	–	–
18	Element Assembly (5.4 kW)	–	–	–	902820*	–	–
19	Element Assembly (10.0 kW)	902821	–	902821#	–	902821†	902821*
20	Element Assembly (10.8 kW)	–	–	–	902823#	–	–
21	Element Assembly (11.6 kW)	–	902824	–	–	–	902824#
22	Filter (20" X 18")	668860R	668860R	668860R	668860R	668860R	668860R
23	Filter (Front, 18" X 30") (Not Shown)	1007623R	1007623R	1007623R	1007623R	1007623R	1007623R
24	Filter Retainer	669053R	669053R	669053R	669053R	669053R	669053R
25	Ground Lug	632235R	632235R	632235R	632235R	632235R	632235R
26	Hole Plug (1/2") (Not Shown)	632307R	632307R	632307R	632307R	632307R	632307R
27	Hole Plug (3/4") (Not Shown)	632308R	632308R	632308R	632308R	632308R	632308R
28	Limit (1 Pole)	–	–	626459R	626459R	–	–
	Limit (2 Pole)	626458R	626458R	626458R	626458R	626458R†	626540R†
29	Limit (1 Pole)	–	–	1045338R	1045338R	–	–
	Limit (2 Pole)	1045337R	1045337R	1045337R	1045337R	1045337R†	1045337R†
30	Single Circuit Adaptor Kit (Standard On -012 Model) (optional on -015 – -023 models)	–	1039295	–	–	–	–
31	Set Of Wires (Not Shown)	1034999	1034999	1035000	1035000	1035001	1035001
32	Transformer (40 Va)	622762R	622762R	622762R	622762R	622762R	622762R

Please specify the correct Model No., Serial No. and part number(s) when ordering parts from the nearest authorized dealer or service center.

\* = Bottom element in downflow position unit in the picture.

# = Top element in downflow position unit in the picture.

† = Uses quantity of two.

