

## REPLACEMENT PARTS LIST

GAS HEATING/ELECTRIC COOLING PACKAGE UNITS  
RGEAYB SERIES WITH R454B REFRIGERANT  
SINGLE AND THREE PHASE MODELS



## IMPORTANT

- This document is primarily intended to assist qualified individuals experienced in the proper repair or servicing of this appliance. Only factory authorized parts or accessory kits may be used with this product. Improper installation, service, adjustment, or maintenance may cause explosion, fire, electrical shock or other hazardous conditions which may result in personal injury or property damage.
- Some local codes require licensed installation / service personnel to service this type of equipment. Under no circumstances should the equipment owner attempt to install parts or service this equipment. Failure to comply with this warning could result in property damage, personal injury, or death.

# RGEAYB GAS HEATING / ELECTRIC COOLING PACKAGE UNITS SINGLE PHASE (2-5 TONS) MODELS

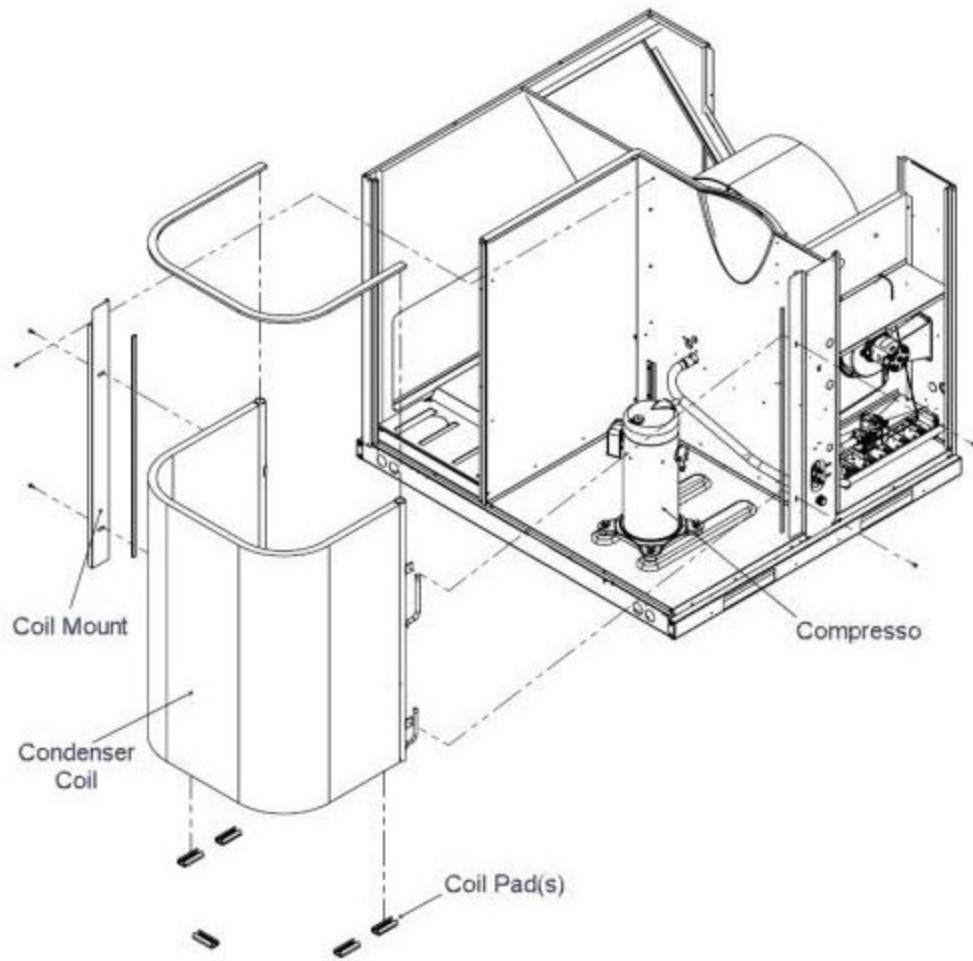
DESCRIPTION	2 TON	2.5 TON	3 TON		3.5 TON	4 TON	5 TON
	RGEAYB024 AJT061NA	RGEAYB030 AJT061NA	RGEAYB036 AJT061NA	RGEAYB036 AJT081NA	RGEAYB042 AJT081NA	RGEAYB 048AJT081NA	RGEAYB 060AJT101NA
A2L SENSOR	—	—	—	—	47-109642-01	47-109642-01	47-109642-01
BLOWER HOUSING & WHEEL	—	—	70-100840-02	70-100840-02	70-100840-02	70-100840-03	70-100840-03
BLOWER HOUSING	AS-58619-02	AS-58619-02	—	—	—	—	—
BLOWER WHEEL KIT	70-18625-01K	70-18625-01K	—	—	—	—	—
BLOWER MOTOR	51-108727-06	51-108728-11	51-108730-07	51-108730-06	51-108729-11	51-108795-06	51-108795-01
BLOWER MOTOR MOUNT ARM W/GROMMET	70-19929-02	70-19929-02	70-19929-09	70-19929-09	70-19929-09	70-19929-09	70-19929-09
BLOWER MOTOR MOUNT BAND	70-19927-01	70-19927-01	70-19927-03	70-19927-03	70-19927-03	70-19927-03	70-19927-03
CAPACITOR	01-0096	01-0097	01-0098	01-0098	43-25133-24	43-101665-70	43-101665-69
COLLECTOR BOX	AE-58588-01	AE-58588-01	AE-58588-01	AE-58588-01	AE-58588-01	AE-58588-01	AE-58588-01
COLLECTOR PAN GASKET	68-23644-01	68-23644-01	68-23644-01	68-23644-01	68-23644-01	68-23644-01	68-23644-01
COMPRESSOR	1045058R	1045060R	1045062R	1045062R	1045685R	55-107225-240	55-107225-241
CONDENSER COIL MOUNT ASSEMBLY	AS-108846-03HT	AS-108846-03HT	AS-108846-01HT	AS-108846-01HT	AS-108846-02HT	AS-108846-02HT	AS-108846-02HT
CONTACTOR	42-109499-06	42-109499-06	42-109499-06	42-109499-06	42-109499-06	42-109499-06	42-109499-06
DRAIN PAN ASSEMBLY	AS-108827-01	AS-108827-01	AS-108827-01	AS-108827-01	AS-108827-01	AS-108827-01	AS-108827-01
FAN BLADE KIT	70-101323-19K	70-101323-19K	70-101323-19K	70-101323-19K	70-101323-19K	70-101323-19K	70-101323-19K
FAN GRILLE & VENTURI ASSEMBLY	AS-108829-01	AS-108829-01	AS-108829-01	AS-108829-01	AS-108829-01	AS-108829-01	AS-108829-01
FILTER DRIER	669764R	669764R	669764R	669764R	669764R	669764R	669764R
FLAME SENSOR	62-23543-02	62-23543-02	62-23543-02	62-23543-02	62-23543-02	62-23543-02	62-23543-02
GAS VALVE	60-105055-01	60-105055-01	60-105055-01	60-105055-01	60-105055-01	60-105055-01	60-105055-01
GAS MANIFOLD ASSEMBLY	81-109239-01	81-109239-01	81-109239-01	81-109239-01	81-109239-01	81-109239-01	81-109239-01
HEAT EXCHANGER	AS-108840-19	AS-108840-19	AS-108840-19	AS-108840-20	AS-108840-20	AS-108840-20	AS-108840-17
HIGH PRESSURE CONTROL	47-102290-10	47-102290-10	47-102290-10	47-102290-10	47-102290-10	47-102290-10	47-102290-10
IGNITOR (DSI)	62-23556-82	62-23556-82	62-23556-82	62-23556-82	62-23556-82	62-23556-82	62-23556-82
INDOOR COIL (EVAP COIL)	65-104387-04K	65-104387-04K	65-104387-04K	65-104387-04K	65-104387-05K	65-104387-05K	65-104387-09K
INDUCER MOTOR WITH GASKET	70-23641-86	70-23641-86	70-23641-86	70-23641-86	70-23641-86	70-23641-86	70-23641-86
INSHOT BURNER	AS-60993-05	AS-60993-05	AS-60993-05	AS-60993-05	AS-60993-05	AS-60993-05	AS-60993-05
INTERGRATED FURNACE CONTROL BOARD	62-23599-05	62-23599-05	62-23599-05	62-23599-05	62-23599-05	62-23599-05	62-23599-05
LIMIT SWITCH (AUTO RESET)	47-102436-08	47-102436-08	47-102436-08	47-102436-06	47-102436-06	47-102436-06	47-102436-06
LIMIT SWITCH (MANUEL RESET)	47-22861-02	47-22861-02	47-22861-02	47-22861-02	47-22861-02	47-22861-02	47-22861-02
MAIN BURNER ORIFICE	62-22175-45	62-22175-45	62-22175-45	62-22175-45	62-22175-45	62-22175-45	62-22175-45
MOLDED PLUG HV / COMPRESSOR PLUG	45-107231-02K	45-107231-02K	45-107231-02K	45-107231-02K	45-107231-02K	45-107231-02K	45-107231-02K
OUTDOOR COIL (CONDENSER COIL)	AS-104395-16	AS-104395-17	AS-104395-18	AS-104395-18	AS-104395-14	AS-104395-19	AS-104395-19
OUTDOOR FAN MOTOR	51-100998-24	51-100998-24	51-100998-24	51-100998-24	51-100998-44	51-100998-44	51-100998-38
POWER SUPPLY HARNESS (CONTROL PANEL TO CONSTANT TORQUE MOTOR)	45-105282-06	45-105282-06	45-105282-06	45-105282-06	45-105282-06	45-105282-06	45-105282-06
PRESSURE SWITCH	42-105601-20K	42-105601-20K	42-105601-20K	42-105601-20K	42-105601-20K	42-105601-20K	42-105601-20K
RELAY - SPST (208/230VAC COIL)	42-101208-02	42-101208-02	42-101208-02	42-101208-02	42-101208-02	42-101208-02	42-101208-02
RELAY - DPDT (24VAC COIL)	—	—	—	—	42-25106-01	42-25106-01	42-25106-01
TERMINAL BLOCK	45-42548-02	45-42548-02	45-42548-02	45-42548-02	45-42548-02	45-42548-02	45-42548-02
TRANSFORMER	46-25107-03	46-25107-03	46-25107-03	46-25107-03	46-25107-03	46-25107-03	46-25107-03
TXV	61-110124-01	61-110124-02	61-110124-03	61-110124-03	61-110124-04	61-110124-05	61-110124-06
VALVE BODY	61-106117-01	61-106117-01	61-106117-01	61-106117-01	61-106117-01	61-106117-01	61-106117-01
VALVE CORE (COREMAX)	61-106118-01	61-106118-01	61-106118-01	61-106118-01	61-106118-01	61-106118-01	61-106118-01
WIRING HARNESS ASSEMBLY 1 STAGE PLUG	45-102393-06	45-102393-06	45-102393-06	45-102393-06	45-102393-06	45-102393-06	45-102393-06

Please specify the correct Model No., Serial No, and Part No.(s) when ordering parts from the nearest authorized dealer or service center.

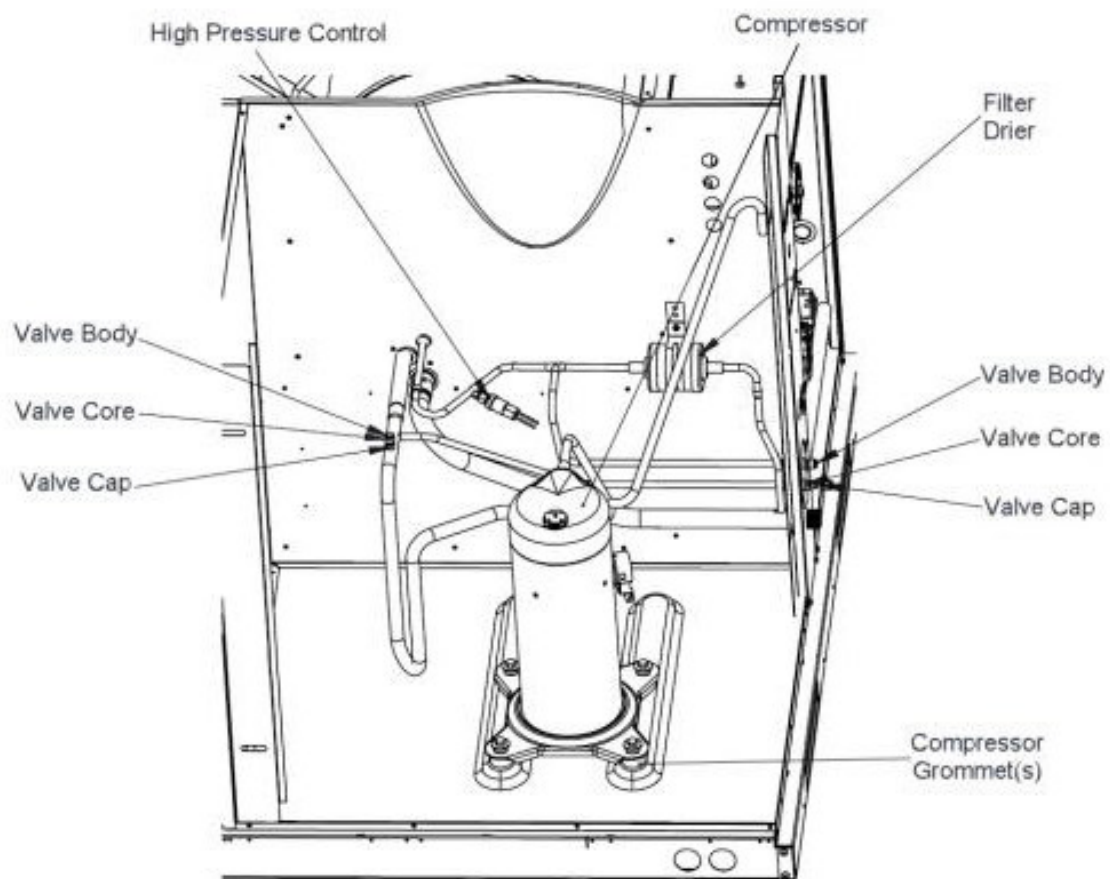
## RGEAYB GAS HEATING / ELECTRIC COOLING PACKAGE UNITS THREE PHASE (3-5 TONS) MODELS

DESCRIPTION	3 TON	4 TON	5 TON
	RGEAYB036 ACT081NA	RGEAYB048 ACT081NA	RGEAYB060 ACT101NA
A2L SENSOR	—	47-109642-01	47-109642-01
BLOWER HOUSING & WHEEL	70-100840-02	70-100840-03	70-100840-03
BLOWER MOTOR	51-108730-06	51-108795-06	51-108795-01
BLOWER MOTOR MOUNT ARM W/GROMMET	70-19929-09	70-19929-09	70-19929-09
BLOWER MOTOR MOUNT BAND	70-19927-03	70-19927-03	70-19927-03
CAPACITOR	01-0041	01-0044	MISSING
COLLECTOR BOX	AE-58588-01	AE-58588-01	AE-58588-01
COLLECTOR PAN GASKET	68-23644-01	68-23644-01	68-23644-01
COMPRESSOR	55-107225-271	55-107225-264	55-107225-265
CONDENSER COIL MOUNT ASSEMBLY	AS-108846-01HT	AS-108846-02HT	AS-108846-02HT
CONTACTOR	42-109499-08	42-109499-08	42-109499-08
DRAIN PAN ASSEMBLY	AS-108827-01	AS-108827-01	AS-108827-01
FAN BLADE KIT	70-101323-19K	70-101323-19K	70-101323-19K
FAN GRILLE & VENTURI ASSEMBLY	AS-108829-01	AS-108829-01	AS-108829-01
FILTER DRIER	669764R	669764R	669764R
FLAME SENSOR	62-23543-02	62-23543-02	62-23543-02
GAS VALVE	60-105055-01	60-105055-01	60-105055-01
GAS MANIFOLD ASSEMBLY	81-109239-01	81-109239-01	81-109239-01
HEAT EXCHANGER	AS-108840-20	AS-108840-20	AS-108840-17
HIGH PRESSURE CONTROL	47-102290-10	47-102290-10	47-102290-10
IGNITOR (DSI)	62-23556-82	62-23556-82	62-23556-82
INDOOR COIL (EVAP COIL)	65-104387-04K	65-104387-05K	65-104387-09K
INDUCER MOTOR WITH GASKET	70-23641-86	70-23641-86	70-23641-86
INSHOT BURNER	AS-60993-05	AS-60993-05	AS-60993-05
INTERGRATED FURNACE CONTROL BOARD	62-23599-05	62-23599-05	62-23599-05
LIMIT SWITCH (AUTO RESET)	47-102436-06	47-102436-06	47-102436-06
LIMIT SWITCH (MANUEL RESET)	47-22861-02	47-22861-02	47-22861-02
MAIN BURNER ORIFICE	62-22175-45	62-22175-45	62-22175-45
MOLDED PLUG HV / COMPRESSOR PLUG	45-107231-02K	45-107231-02K	45-107231-02K
OUTDOOR COIL (CONDENSER COIL)	AS-104395-18	AS-104395-19	AS-104395-19
OUTDOOR FAN MOTOR	51-100998-24	51-100998-44	51-100998-38
POWER SUPPLY HARNESS (CONTROL PANEL TO CONSTANT TORQUE MOTOR)	45-105282-06	45-105282-06	45-105282-06
PRESSURE SWITCH	42-105601-20K	42-105601-20K	42-105601-20K
RELAY - SPST (208/230VAC COIL)	42-101208-02	42-101208-02	42-101208-02
RELAY - DPDT (24VAC COIL)	—	42-25106-01	42-25106-01
TERMINAL BLOCK	45-42548-02	45-42548-02	45-42548-02
TRANSFORMER	46-25107-03	46-25107-03	46-25107-03
TXV	61-110124-03	61-110124-05	61-110124-06
VALVE BODY	61-106117-01	61-106117-01	61-106117-01
VALVE CORE (COREMAX)	61-106118-01	61-106118-01	61-106118-01
WIRING HARNESS ASSEMBLY 1 STAGE PLUG	45-102393-06	45-102393-06	45-102393-06

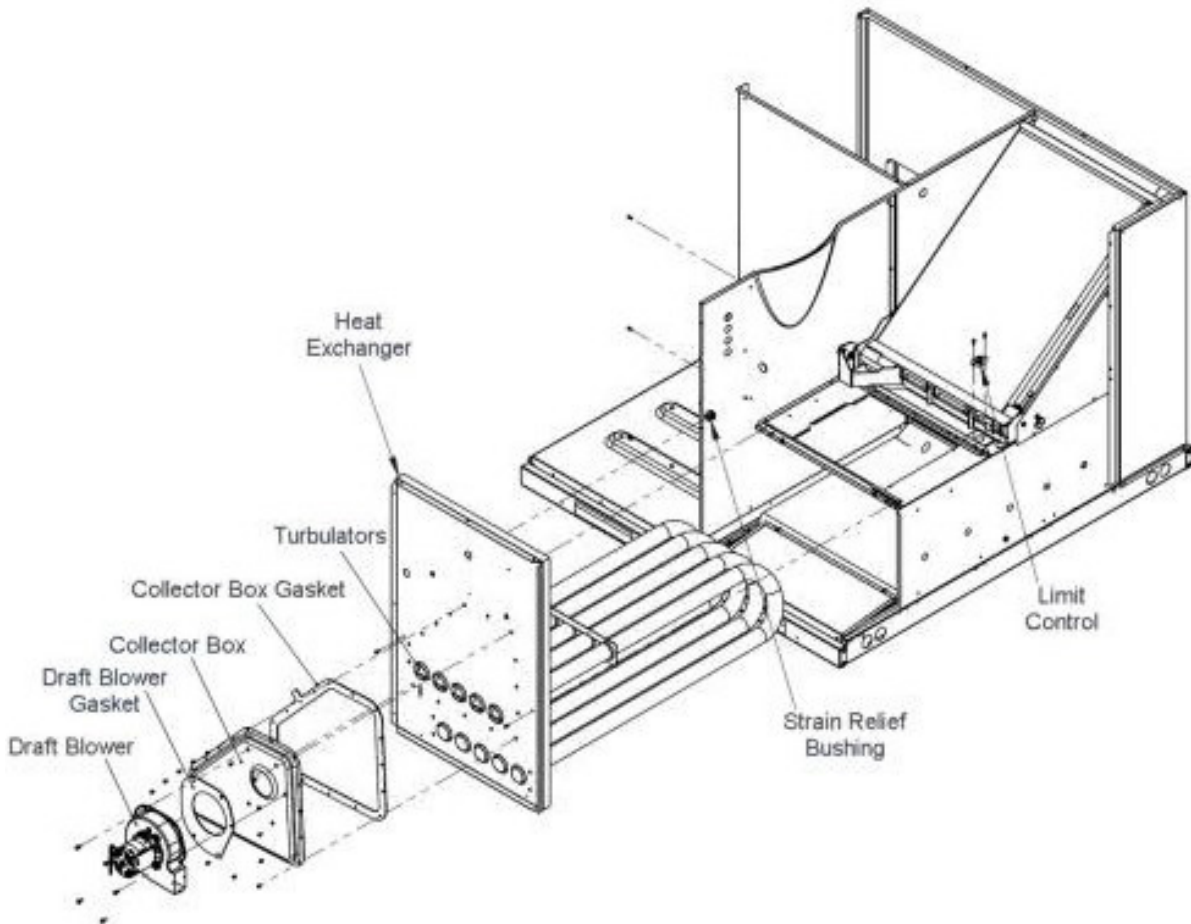
Please specify the correct Model No., Serial No, and Part No.(s) when ordering parts from the nearest authorized dealer or service center.



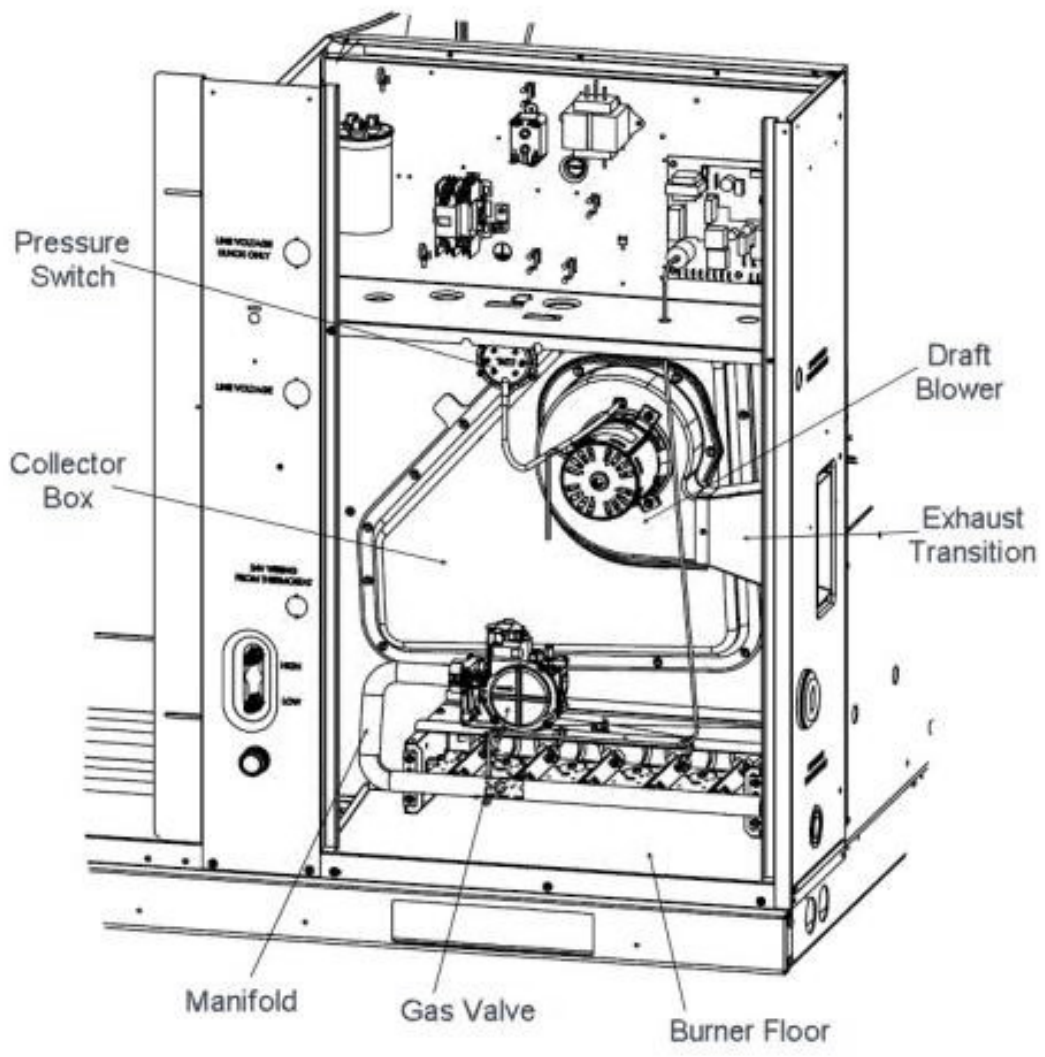
Exploded view shown is for reference only and may not apply to all models



Exploded view shown is for reference only and may not apply to all models

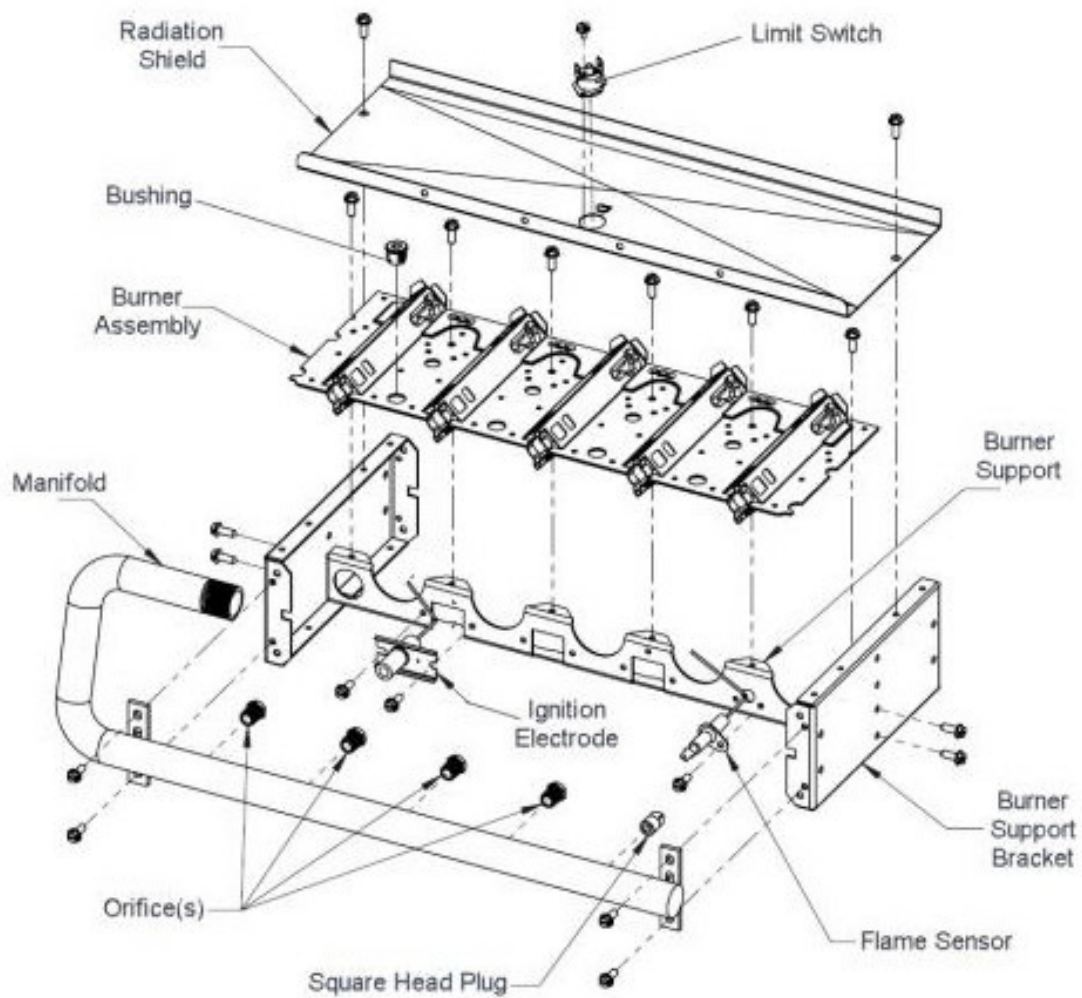


Exploded view shown is for reference only and may not apply to all models



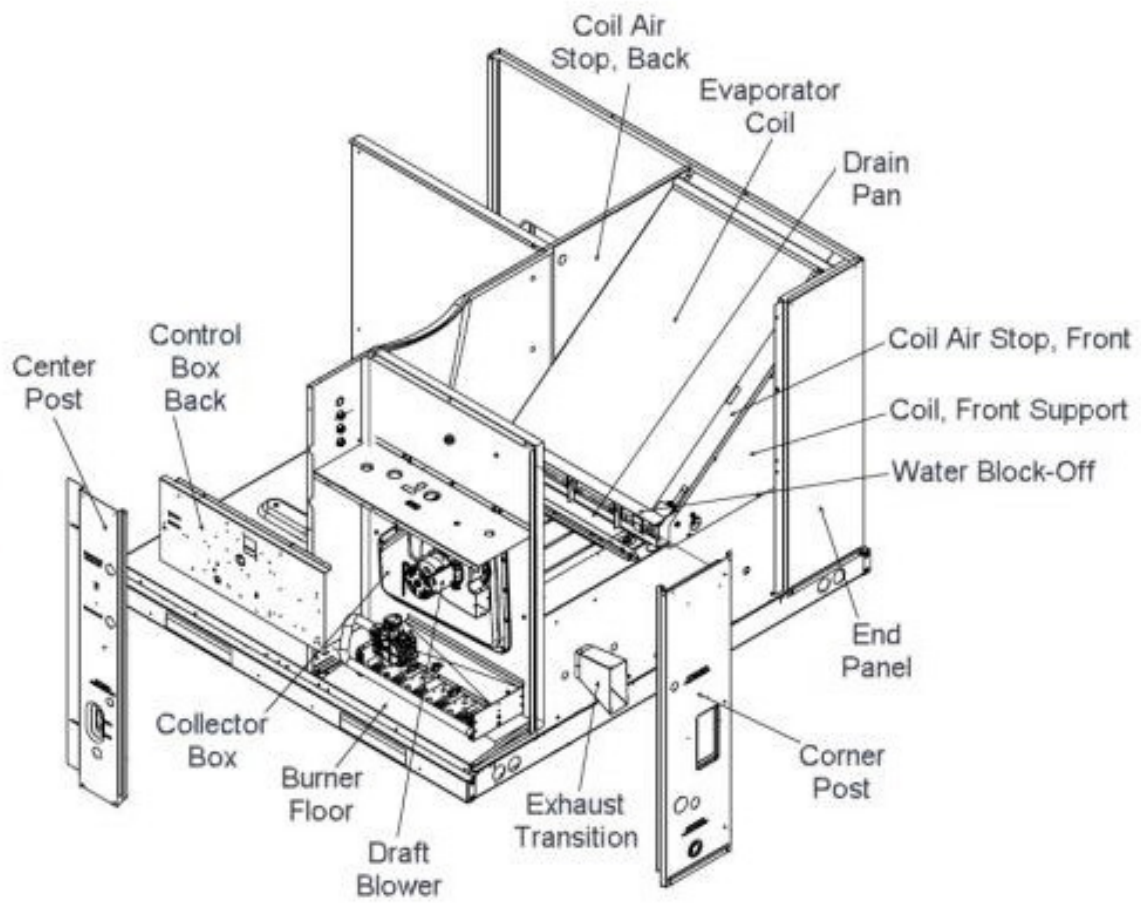
Exploded view shown is for reference only and may not apply to all models



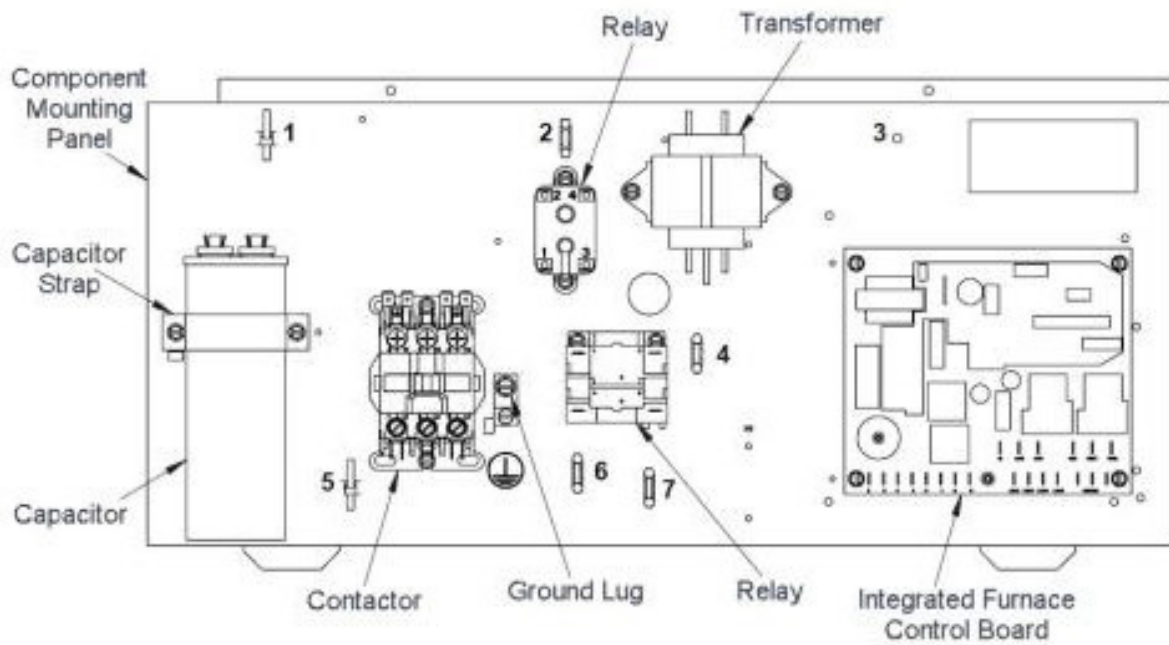


Exploded view shown is for reference only and may not apply to all models

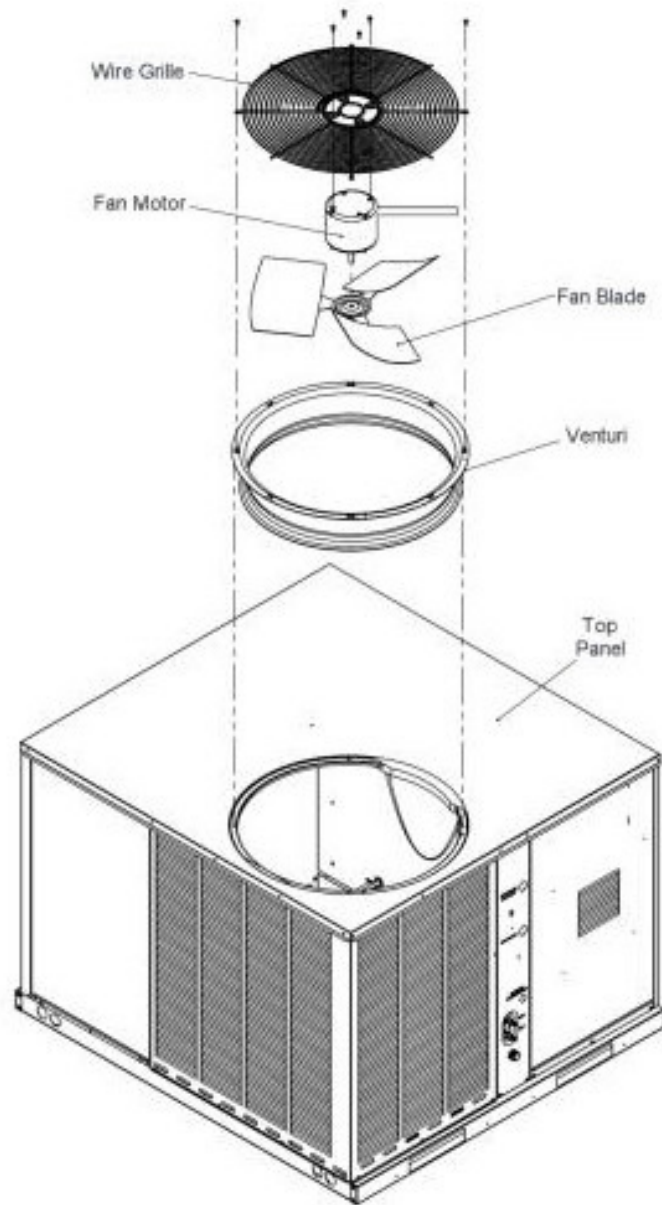




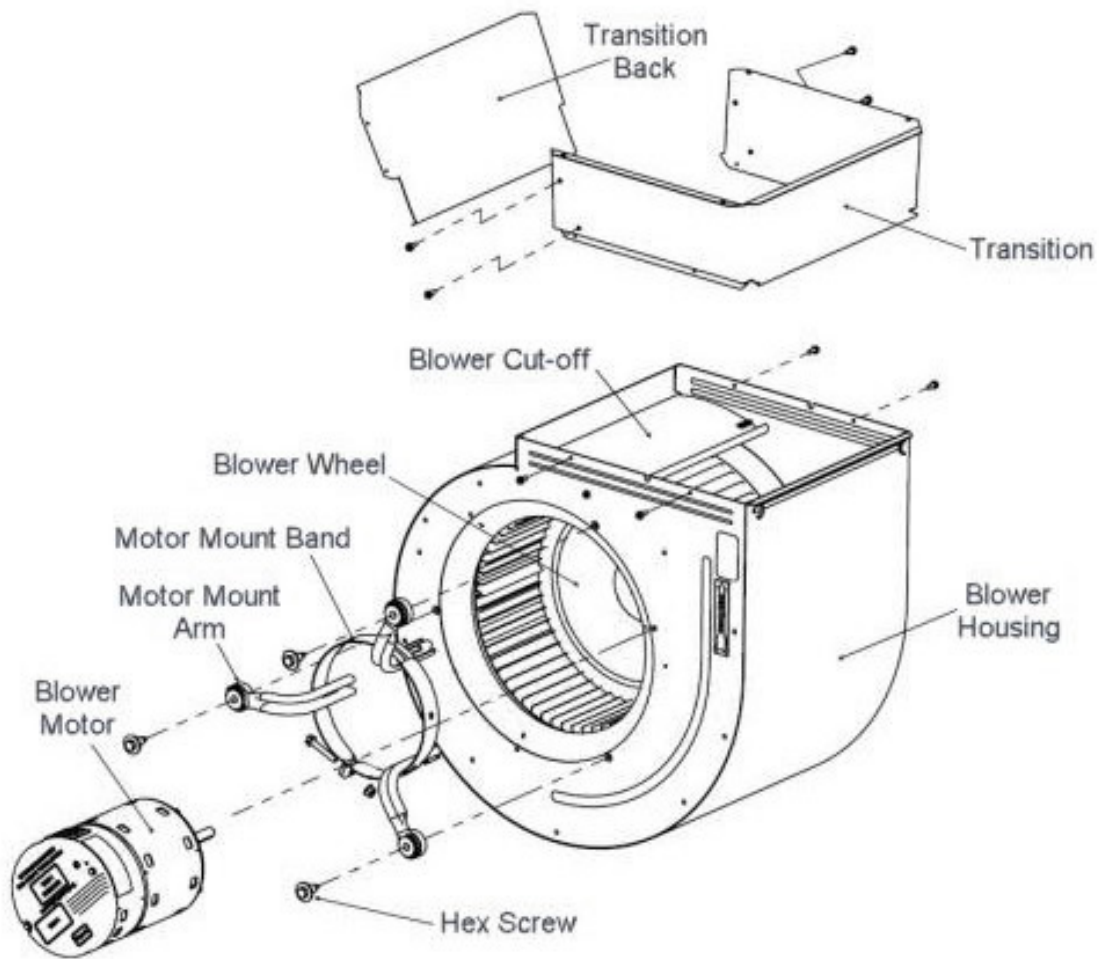
Exploded view shown is for reference only and may not apply to all models



Exploded view shown is for reference only and may not apply to all models



Exploded view shown is for reference only and may not apply to all models



Exploded view shown is for reference only and may not apply to all models

