

REPLACEMENT PARTS LIST

HEAT PUMP PACKAGE UNITS WITH R454B REFRIGERANT

RHP(A,X)YB SERIES 13.4 SEER2, 6.7 HSPF2

208/230V, SINGLE PHASE MODELS



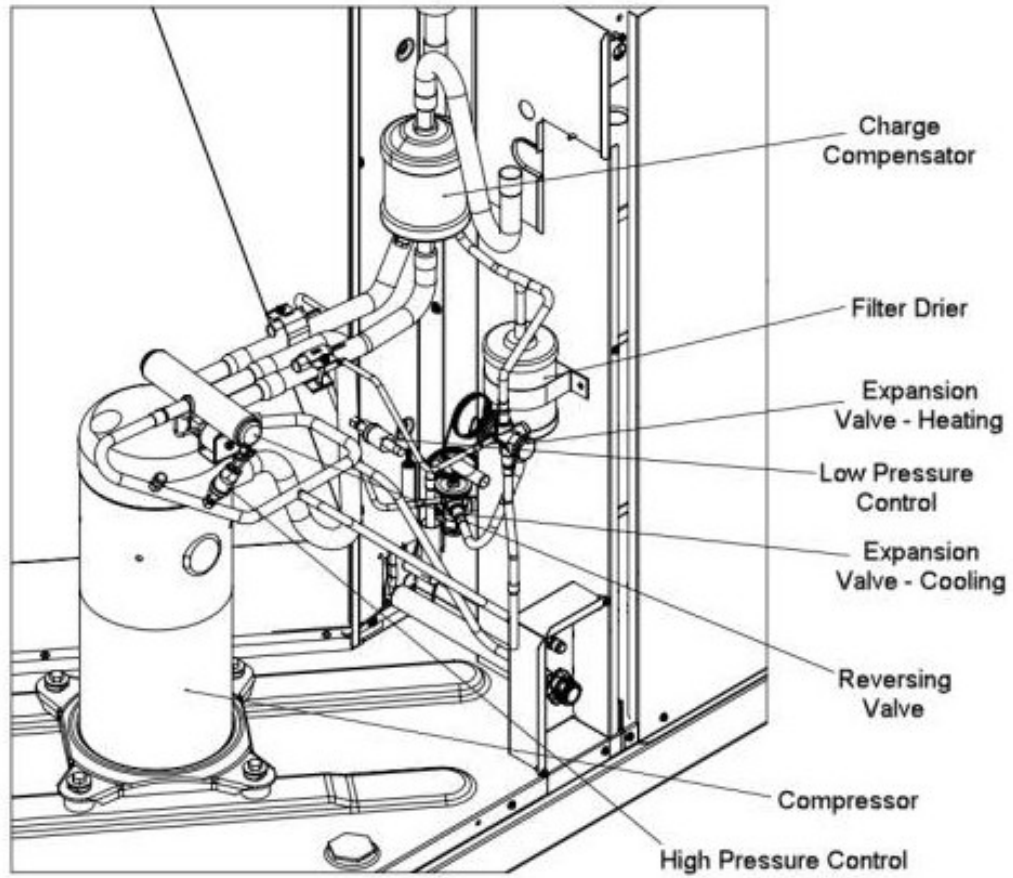
IMPORTANT

- This document is primarily intended to assist qualified individuals experienced in the proper repair or servicing of this appliance. Only factory authorized parts or accessory kits may be used with this product. Improper installation, service, adjustment, or maintenance may cause explosion, fire, electrical shock or other hazardous conditions which may result in personal injury or property damage.
- Some local codes require licensed installation / service personnel to service this type of equipment. Under no circumstances should the equipment owner attempt to install parts or service this equipment. Failure to comply with this warning could result in property damage, personal injury, or death.

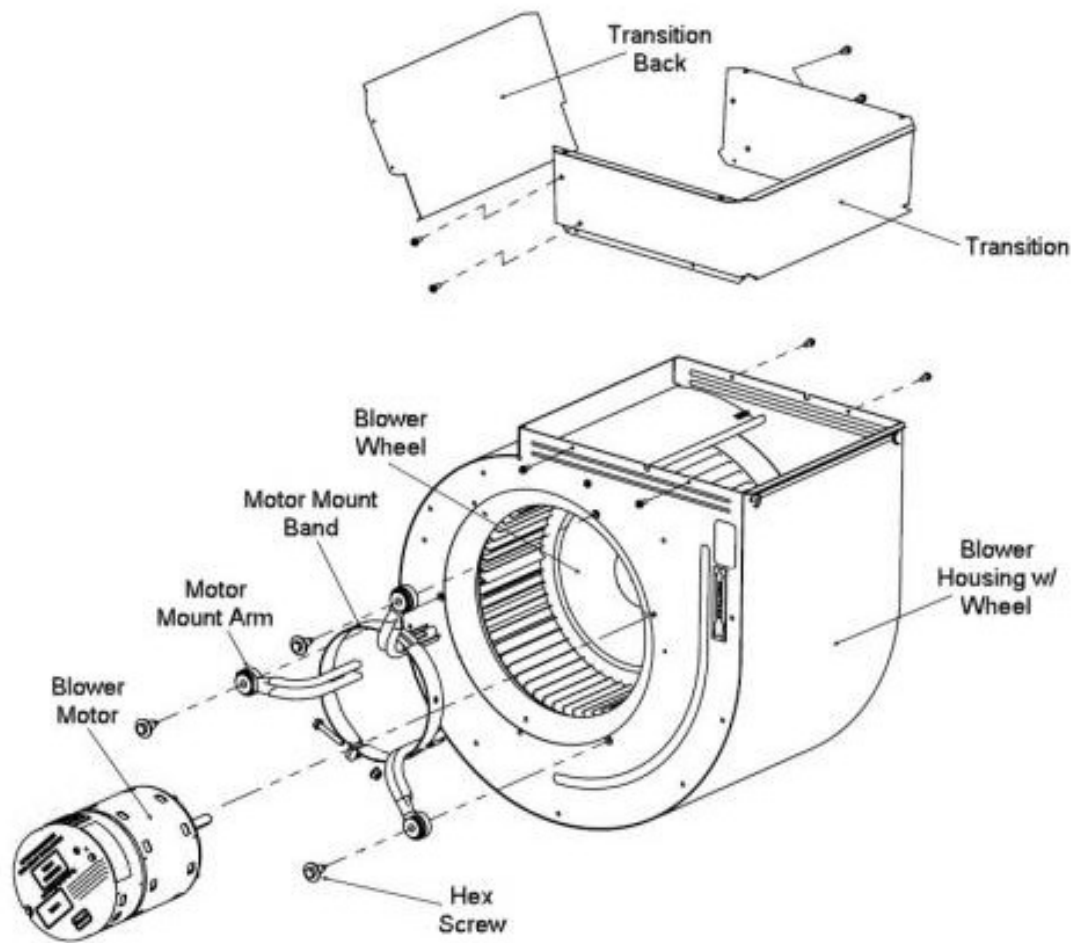
RHP(A,X)YB SINGLE PACKAGE HEAT PUMP 208/230V, SINGLE PHASE, 13.4 SEER2, 6.7 HSPF2 MODELS

DESCRIPTION	2 TON	2.5 TON	3 TON	3.5 TON	4 TON	5 TON
	RHPAYB024 AJT000NA	RHPAYB030 AJT000NA	RHPXYB036 AJT000NA	RHPXYB042 AJT000NA	RHPXYB048 AJT000NA	RHPXYB060 AJT000NA
A2L SENSOR	47-109642-01	47-109642-01	47-109642-01	47-109642-01	47-109642-01	47-109642-01
BLOWER HOUSING & WHEEL	—	70-100840-02	70-100840-02	70-100840-02	70-100840-02	70-100840-02
BLOWER HOUSING	AS-58619-02	—	—	—	—	—
BLOWER WHEEL KIT	70-18625-01K	—	—	—	—	—
BLOWER MOTOR	51-108727-09	51-108728-139	51-108728-140	51-108729-19	51-108729-18	51-108730-03
BLOWER MOTOR MOUNT ARM W/ GROMMET	70-19929-02	70-19929-09	70-19929-09	70-19929-09	70-19929-09	70-19929-09
BLOWER MOTOR MOUNT BAND	70-19927-01	70-19927-03	70-19927-03	70-19927-03	70-19927-03	70-19927-03
CAPACITOR	01-0096	43-25133-23	01-0098	43-25133-24	43-101665-68	43-101665-69
COMPRESSOR	1045058R	1045060R	1045062R	1045685R	1045687R	55-107225-241
CONTACTOR	42-109499-06	42-109499-06	42-109499-06	42-109499-06	42-109499-06	42-109499-06
DEFROST CONTROL BOARD KIT	47-102684-204	47-102684-204	47-102684-204	47-102684-204	47-102684-204	47-102684-204
DRAIN PAN ASSEMBLY	AS-108827-01	AS-108827-01	68-108716-01	68-108716-01	68-108716-01	68-108716-01
FAN BLADE KIT	70-101323-19K	70-101323-60	70-101323-73	70-101323-30K	70-101323-30K	70-101323-30K
FAN GRILLE	95-108200-01	95-108200-01	95-105939-02	95-105939-02	95-105939-02	95-105939-02
FAN MOTOR	51-100998-24	51-100998-29	51-100998-24	51-100998-44	51-100998-44	51-100998-38
FAN VENTURI	68-104464-18	68-104464-18	68-104464-06	68-104464-06	68-104464-06	68-104464-06
FILTER DRIER	669762R	669762R	669762R	669762R	669762R	669762R
HIGH PRESSURE LIMIT KIT	47-102290-01K	47-102290-01K	47-102290-01K	47-102290-01K	47-102290-01K	47-102290-01K
INDOOR COIL	65-104387-04K	65-104387-06K	AS-108995-02	AS-108995-02	AS-108995-02	AS-108995-01
LOW PRESSURE LIMIT KIT	47-102240-02K	47-102240-02K	47-102240-02K	47-102240-02K	47-102240-02K	47-102240-02K
MOLDED PLUG HV / COMPRESSOR PLUG	45-107231-02K	45-107231-02K	45-107231-02K	45-107231-02K	45-107231-02K	45-107231-02K
SENSOR KIT (AMBIENT & DEFROST SENSOR)	PD476604	PD476604	PD476604	PD476604	PD476604	PD476604
OUTDOOR COIL	65-108764-03	AS-108764-02	AS-109006-03	AS-109006-03	AS-108763-01	AS-108761-01
POWER SUPPLY HARNESS (CONTROL PANEL TO CONSTANT TORQUE MOTOR)	45-105282-06	45-105282-06	45-105282-06	45-105282-06	45-105282-06	45-105282-06
REVERSING VALVE & COIL	61-102498-09K	61-102498-09K	61-102498-06	61-102498-06	61-102498-06	61-102498-06
REVERSING VALVE WIRING HARNESS	61-26149-06	61-26149-06	61-26149-06	61-26149-06	61-26149-06	61-26149-06
TERMINAL BLOCK	45-42548-02	45-42548-02	45-42548-02	45-42548-02	45-42548-02	45-42548-02
THERMAL EXPANSION VALVE (OUTDOOR)	61-109438-35	61-109438-25	61-109438-40	61-109438-42	61-109438-44	61-109438-44
THERMAL EXPANSION VALVE (INDOOR)	61-109438-36	61-109438-26	61-109438-39	61-109438-39	61-109438-39	61-109438-46
TRANSFORMER	46-100836-05	46-100836-05	46-100836-05	46-100836-05	46-100836-05	46-100836-05
VALVE BODY	61-106117-01	61-106117-01	61-106117-01	61-106117-01	61-106117-01	61-106117-01
VALVE CORE (COREMAX)	61-106118-01	61-106118-01	61-106118-01	61-106118-01	61-106118-01	61-106118-01

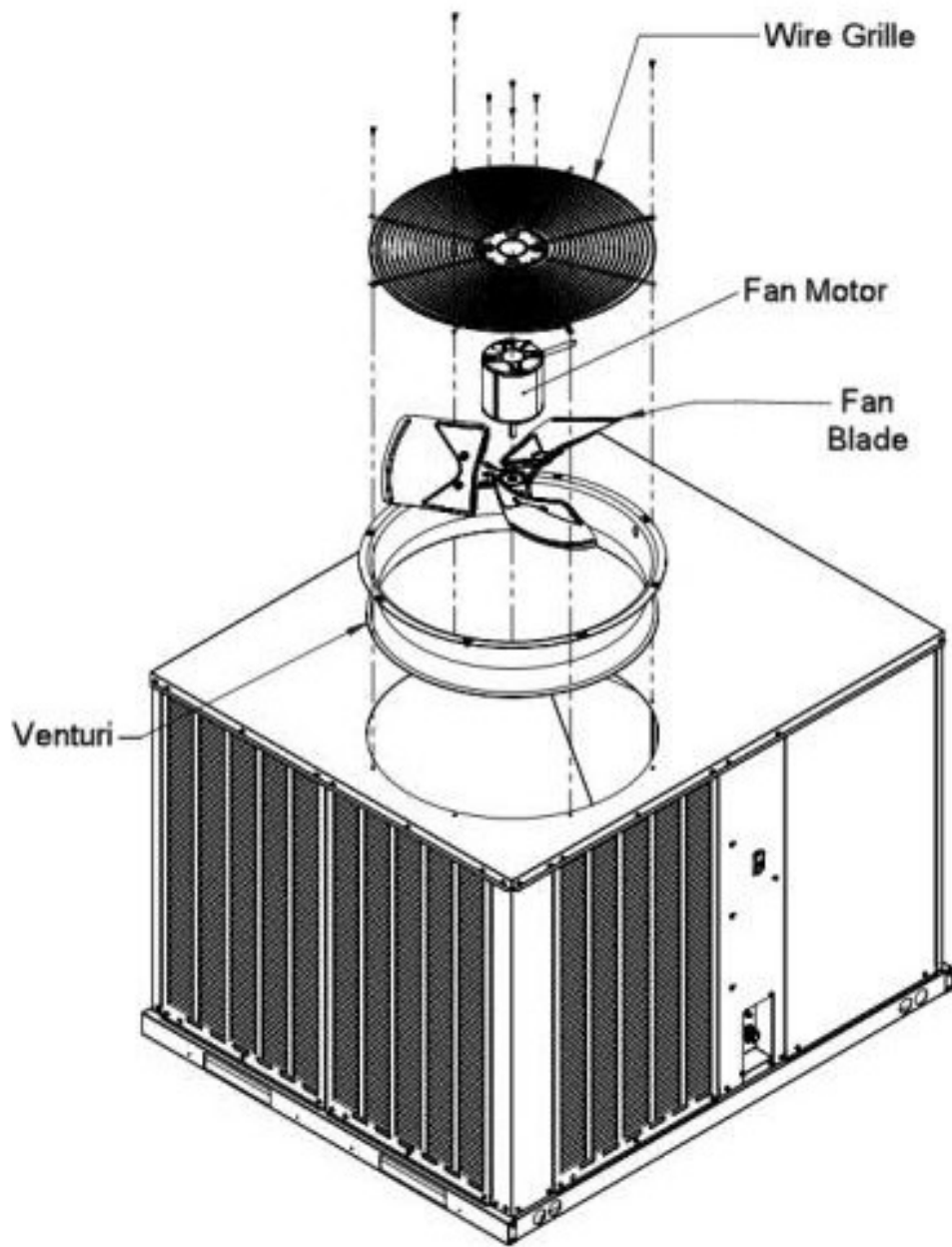
Please specify the correct Model No., Serial No., and Part No.(s) when ordering parts from the nearest authorized dealer or service center.



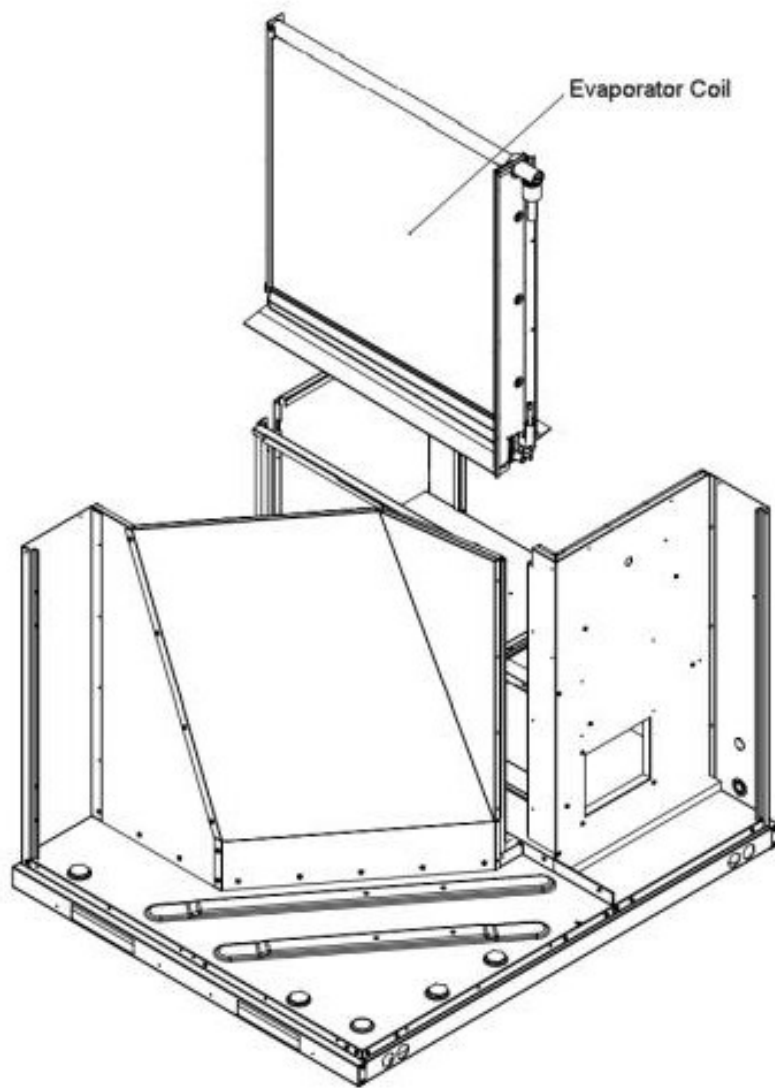
Exploded view shown is for reference only and may not apply to all models



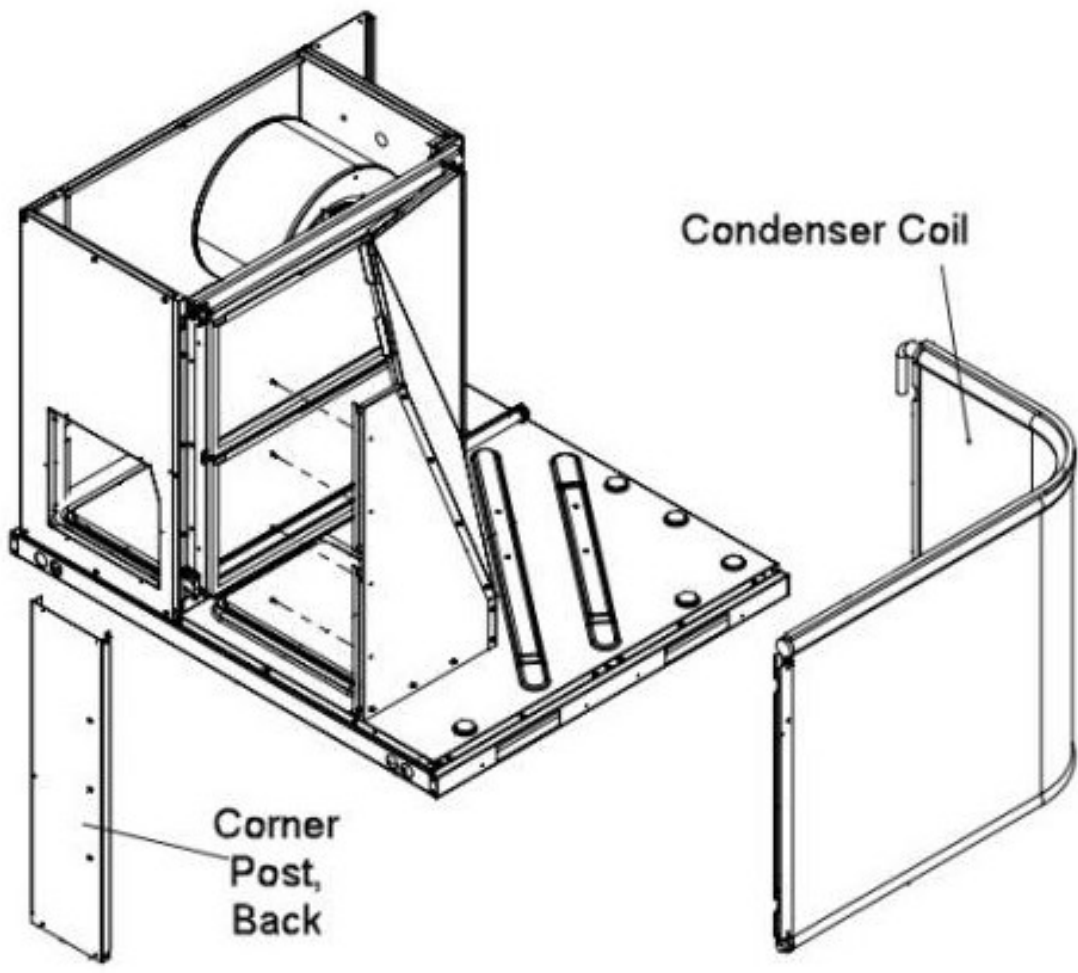
Exploded view shown is for reference only and may not apply to all models



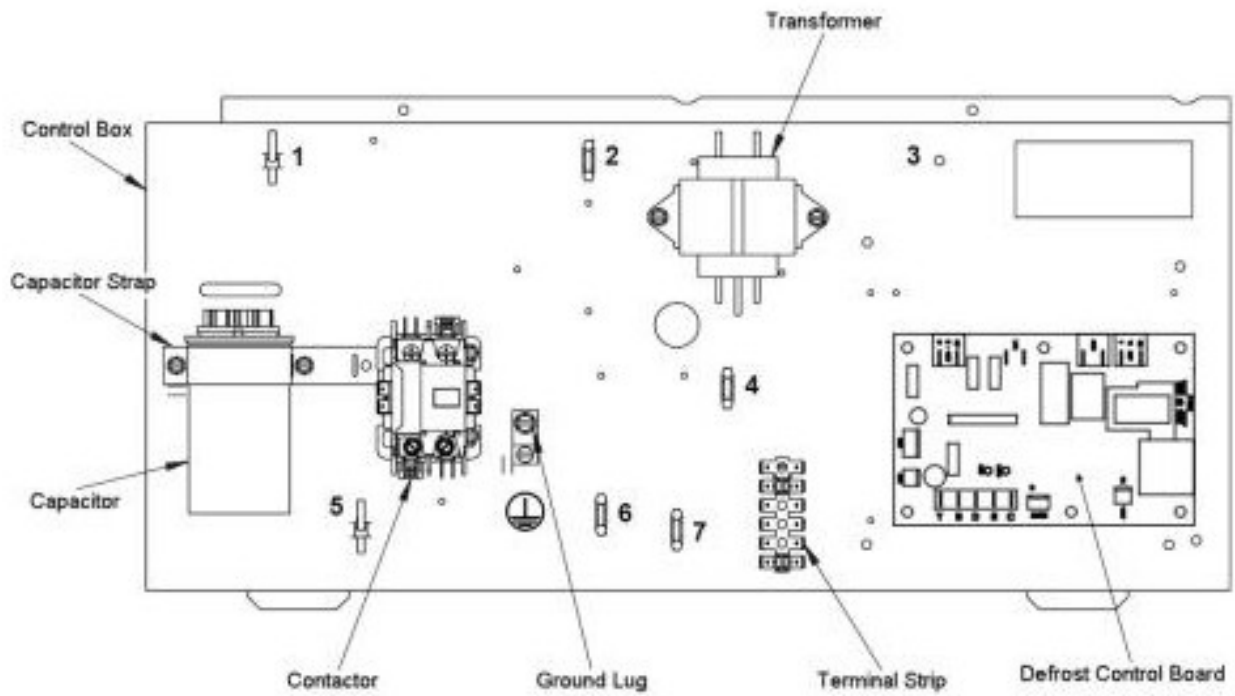
Exploded view shown is for reference only and may not apply to all models



Exploded view shown is for reference only and may not apply to all models



Exploded view shown is for reference only and may not apply to all models



Exploded view shown is for reference only and may not apply to all models

